

# SMPM to SMP Right Angle Cable Assemblies

**Φ.047 Cable types (Flexible)**

**withwave**

Next Generation Connectivity

**Withwave** offers **SMPM to SMP Right Angle Cable Assemblies** with 0.047" cable diameter for various kinds of interconnection solutions such as High Speed Testing, Surface Mount Interconnection and Telecommunication applications.

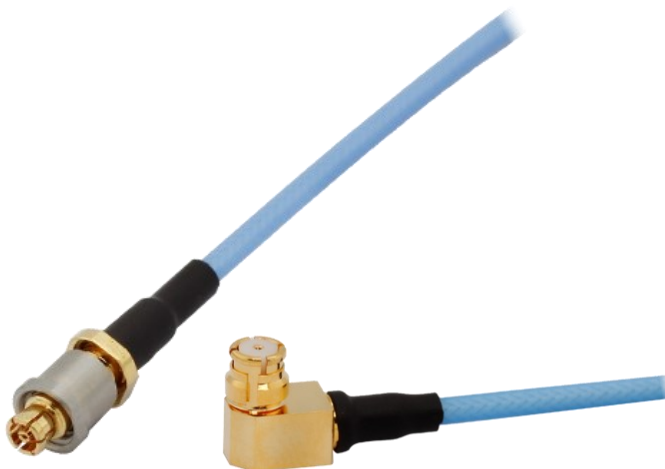


## ■ Features

- Freq: Range : DC to 40 GHz
- Push-On and Snap-On for Quick Installation

## ■ Application

- Telecommunication
- High Speed Applications
- Surface Mount Connection
- Broadband



## ■ Cable Specification

Scope	Specification	FX047
<b>Electrical</b>	Freq. Range (Max)	40
	Impedance	50 Ohms
	VSWR *	1.5
	Velocity of propagation( %)	70
	Shielding Effectiveness (dB)	90
<b>Physical</b>	Center Conductor (mm)	0.29
	Dielectric (mm)	0.92
	Jacket (mm)	1.53
<b>Mechanical &amp; Environmental</b>	Connector type	SMPM / SMP / SMA / 2.92mm / 2.4 mm
	Weight (g/M)	7.2
	Temperature	-55 ~+125 °C

# SMPM to SMP Right Angle Cable Assemblies

**Φ.047 Cable types (Flexible)**

**withwave**

Next Generation Connectivity

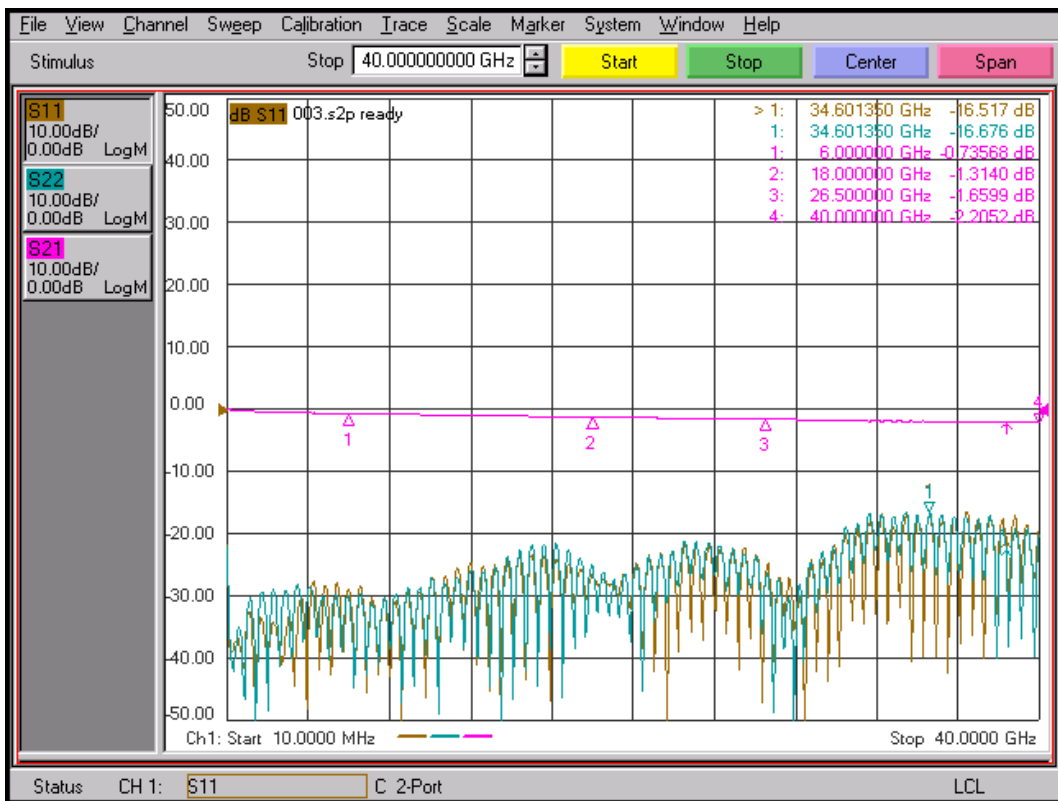
## ■ Test Condition

- Part No: FX047-PF9PF10-180mm
- Cable Length : 180 mm (O.D : 0.047 inch)
- Connector : PF9 : SMPM(Female) / PF10 : SMP R/A(Female)



## ■ Test Results

\* Freq: 10 MHz to 40 GHz



# SMPM to SMP Right Angle Cable Assemblies

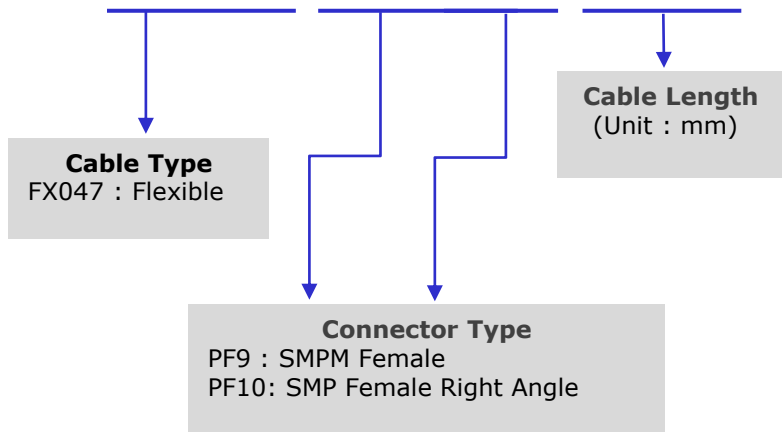
**Φ.047 Cable types (Flexible)**

**withwave**

Next Generation Connectivity

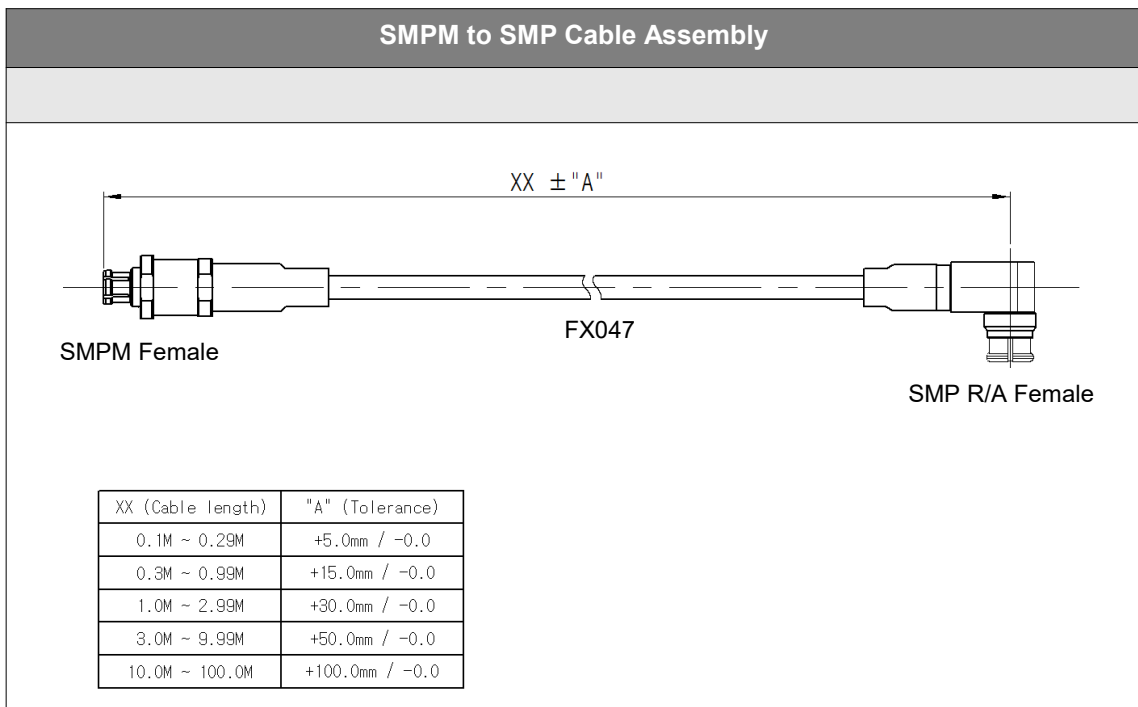
## ■ Selection Guide

### FX047-PF9PF10-180mm



## ■ Drawing

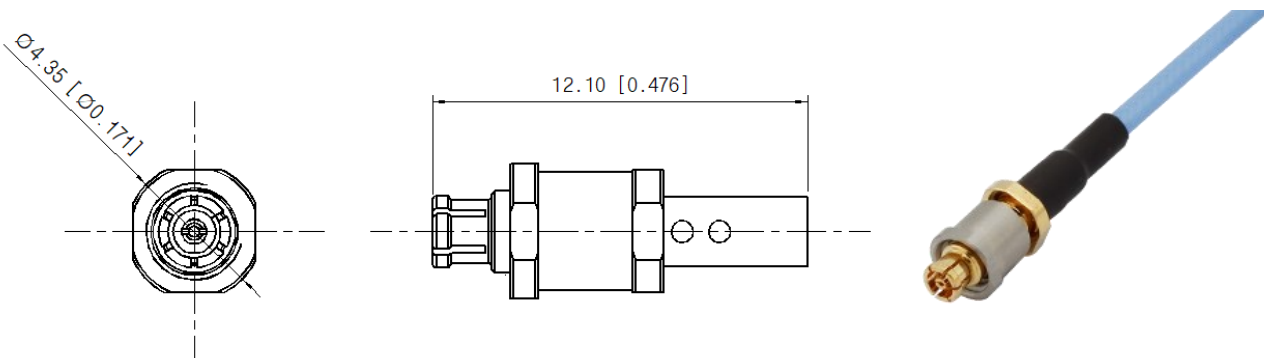
Unit : [mm]



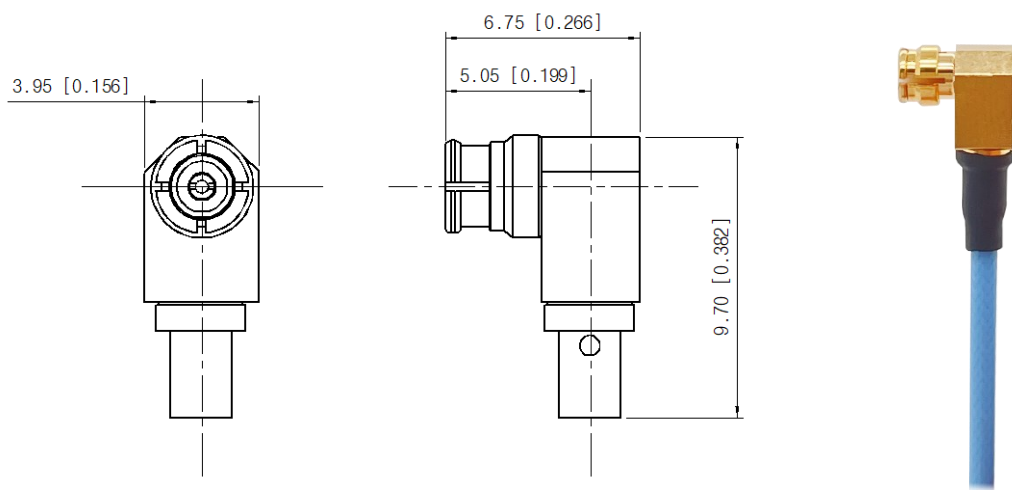
# SMPM to SMP Right Angle Cable Assemblies

**Φ.047 Cable types (Flexible)**

**■ Drawing**



Part No.	Description
PF9	SMPM Straight Female



Part No.	Description
PF10	SMP Right angle Female

# SMPM to SMP Right Angle Cable Assemblies

**Φ.047 Cable types (Flexible)**

**withwave**

Next Generation Connectivity

## ■ Revision History

Revision	Date	Changes
Ver 1.0	2024-06-10	Released SMP Right Angle Cable Assembly