

1.85 mm(F) to 1.85 mm(F) : Right Angle type

Withwave's Precision Test Adapters are designed based on precision microwave interconnection technologies. This 1.85 mm(F) to 1.85 mm(F) **Right Angle adapter** is manufactured to precise microwave specifications and constructed with female gender on both side.

The precision microwave connector interfaces ensure an excellent microwave performance up to 67 GHz



■ Features

- Frequency range : DC to 67 GHz
- VSWR(Max) : 1.30 : 1
- Body : Stainless steel (passivated)

■ Specification

Scope	Specification	AD01F01FR1
Electrical	Impedance(Ohm)	50
	Operation Freq.(GHz)	DC to 67 GHz
	VSWR (Max)	1.30 : 1
Material	Dielectric	PTFE
	Center Contact	BeCu with gold plated
	Body	Passivated Stainless Steel
	Operating Temperature	-65 to +165 °C

* RoHS Compliant

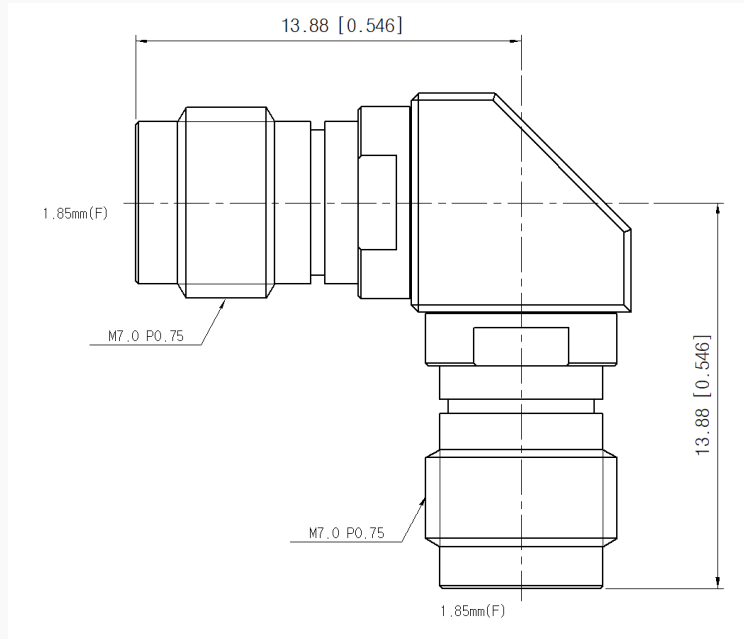
Precision Test Adapters

1.85 mm(F) to 1.85 mm(F) : Right Angle type

■ Drawing

Part No.: AD01F01FR1

Unit : mm[inch]



■ Test Result

▪ Frequency : 10 MHz to 67 GHz

