

## 1.0mm(F) to SMPS(M)

**Withwave's Precision Test Adapters** are designed based on precision microwave interconnection technologies. **This 1.0 mm(F) to SMPS(M)** adapter is manufactured to precise microwave specifications and constructed with 1.0 mm female gender on side 1 and SMPS male gender side 2.

The precision microwave connector interfaces ensure an excellent microwave performance up to 110 GHz



### ■ Features

- Frequency range : DC to 110 GHz
- VSWR : 1.5 : 1(Max) @ 100 GHz  
1.8 : 1(Max), 100 ~ 110 GHz

### ■ Specification

Scope	Specification	AD00F25MS1
Electrical	Impedance(Ohm)	50
	Operation Freq.(GHz)	DC to 110 GHz
	VSWR (Max)	1.5 : 1 @ 100 GHz 1.8 : 1, 100 ~ 110 GHz
Material	Dielectric	Ultem 1000
	Center Contact	BeCu with gold plated
	Body	Passivated Stainless Steel

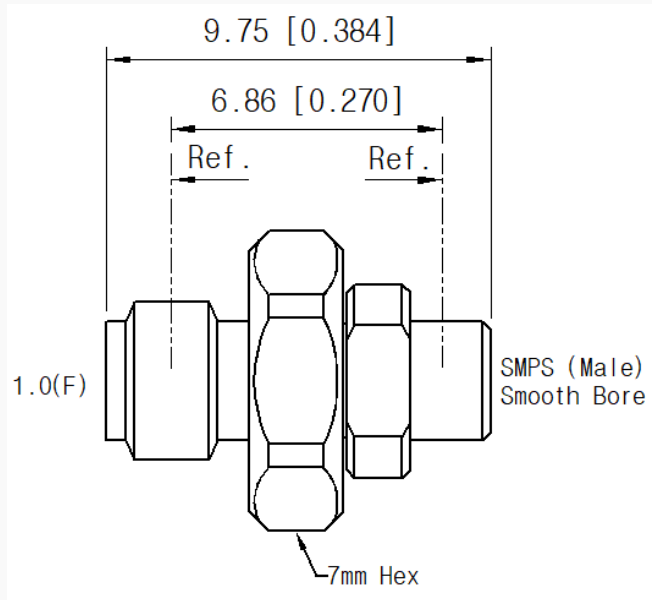
\* RoHS Compliant

## 1.0mm(F) to SMPS(M)

### ■ Drawing

Part No.: AD00F25MS1

Unit : mm[inch]



### ■ Test Result

▪ Frequency : 10 MHz to 110 GHz

