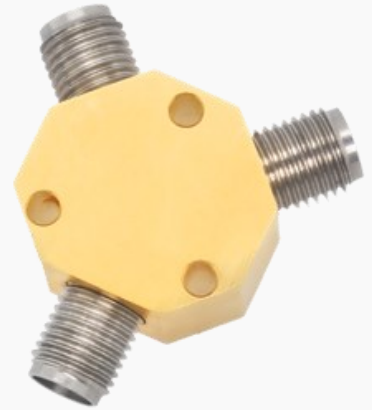


**Withwave's Power Divider** offer frequency range from DC to 40 GHz and low insertion loss & VSWR.

This divider (PD00400-2-KF) have high power handling capacity up to 1 Watt



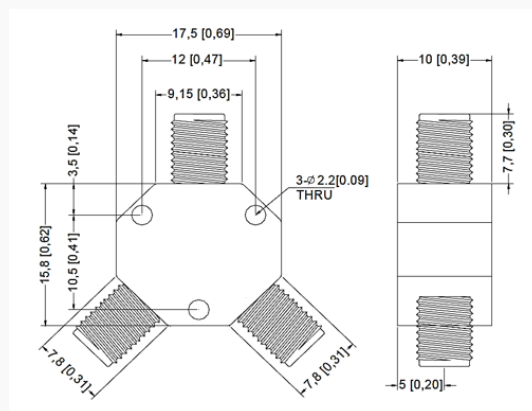
### ■ Features

- 2 Way Type
- 2.92 mm Connector (Female)
- Peak Power : 10 Watt (Max.)

### ■ Specification

Scope	Specification	PD00400-2-KF
Electrical	Impedance	50 Ohm
	Freq. range	DC to 40 GHz
	Insertion Loss(Typ.)	7.2 dB
	Isolation(Typ.)	13 dB
	VSWR (Typ.)	Input 1.3 : 1 Output 2.0 : 1
	Phase Imbalance (Typ.)	± 4.0 deg
	Amplitude Imbalance (Typ.)	± 0.3 dB
	Forward Power (Max.)	1 Watt
Mechanical	Peak Power (Max.)	10 Watt
	Port Connector	2.92 mm (Female)
	Weight	20.1 g

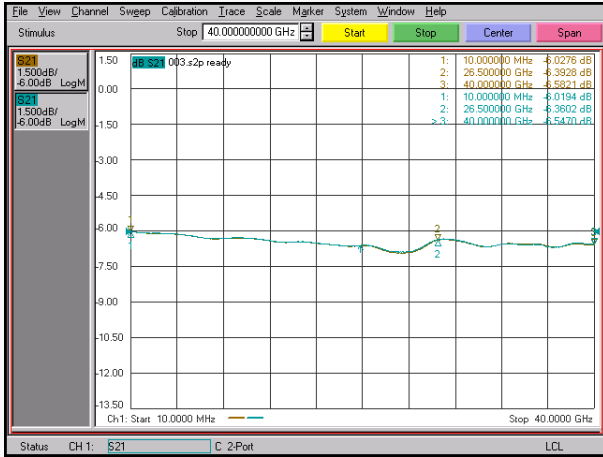
### ■ Drawing



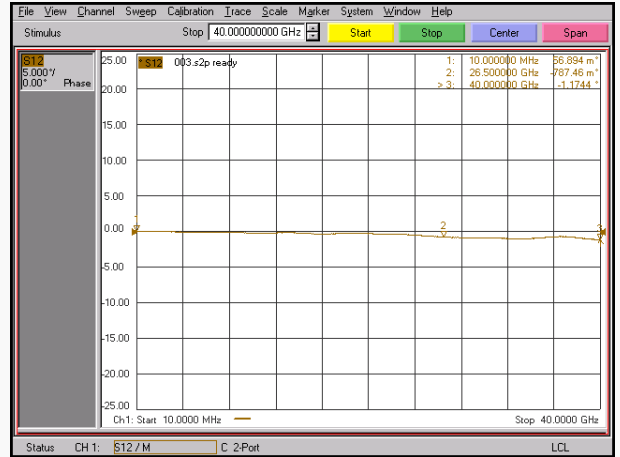
Unit : mm

### Measurement

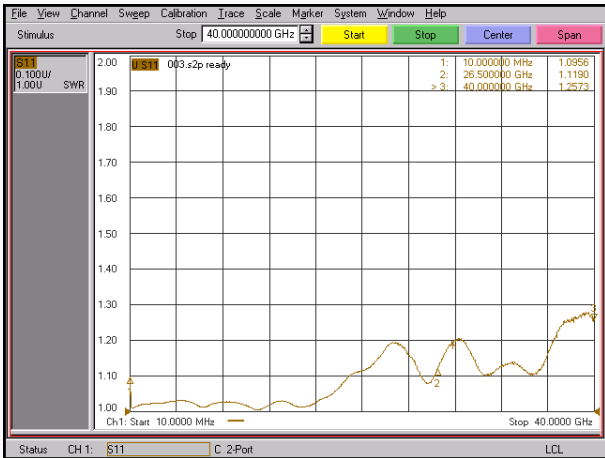
#### Insertion loss/Amplitude imbalance



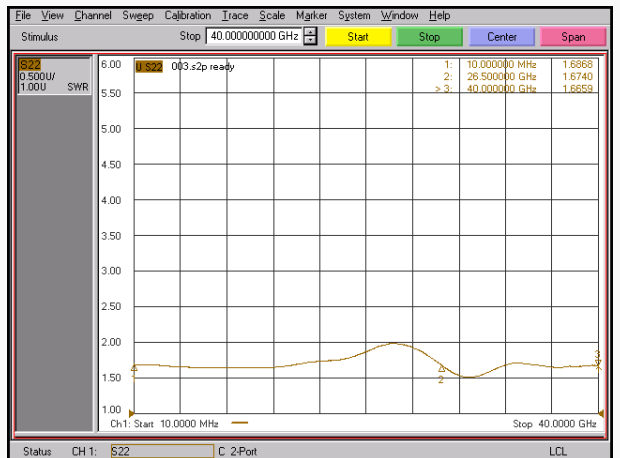
#### Phase Imbalance



#### Input VSWR



#### Output VSWR



#### Isolation

