

Withwave's Directional Coupler offer frequency range from 0.5 GHz to 6 GHz and low insertion loss & VSWR. This Coupler (BC0560-10-SF) have 10 dB coupling & 17 dB directivity characteristics.

■ Features

- Nominal Coupling : 10 dB
- Directivity : 17 dB (Min.)
- SMA Connector (Female)



■ Specification

| Scope | Specification | BC0560-10-SF |
|----------------------------|-----------------------------|-----------------|
| Electrical | Impedance | 50 Ohm |
| | Freq. range | 0.5 to 6 GHz |
| | Nominal Coupling | 10 dB |
| | Coupling Accuracy | ±1.0 dB |
| | Insertion Loss | 1.2 dB (Max.) |
| | VSWR Primary | 1.30: 1 (Max.) |
| | VSWR Secondary | 1.30: 1 (Max.) |
| | Directivity | 17 dB (Min.) |
| | Average Power | 50 W |
| | Peak Power | 1 KW |
| Mechanical & Environmental | Input / Output Connector | SMA (Female) |
| | Weight | 100 g |
| | Material | Aluminum |
| | Finishing | Black paint |
| | Operating Temperature Range | -45°C to +85 °C |

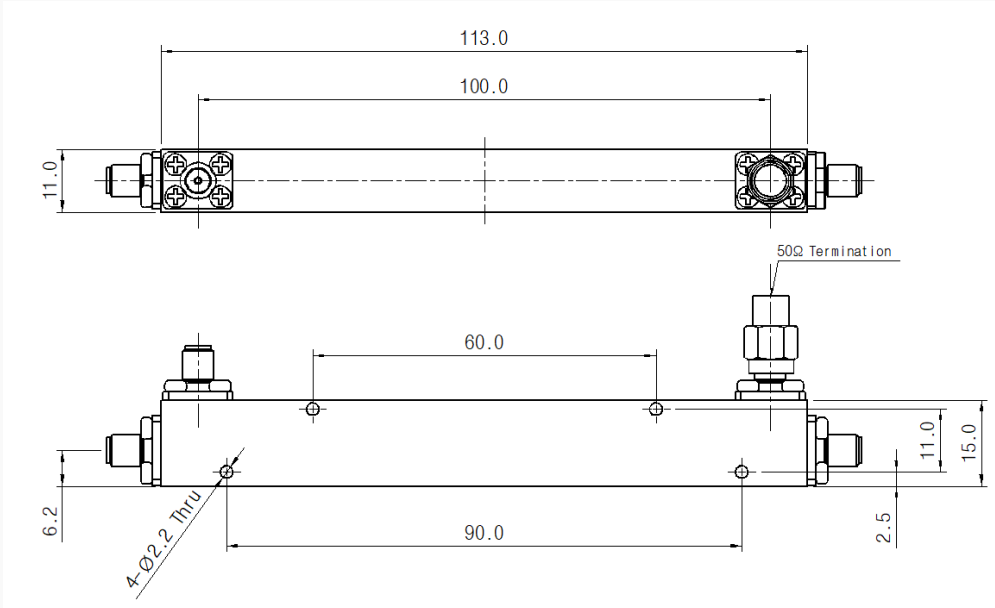
Directional Coupler

0.5 to 6 GHz
10 dB Coupling

withwave
Versatile RF & MW Test Solutions

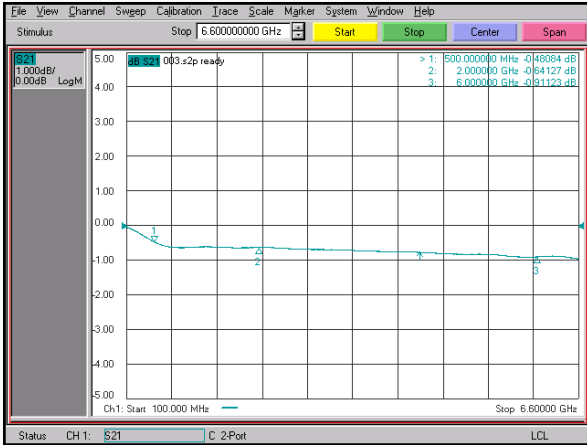
■ Drawing

Unit : mm

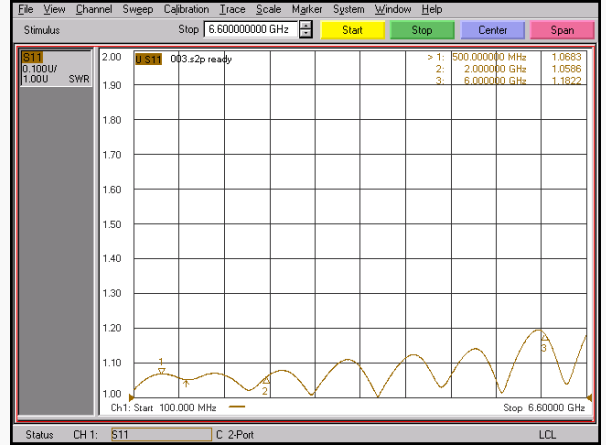


Measurement

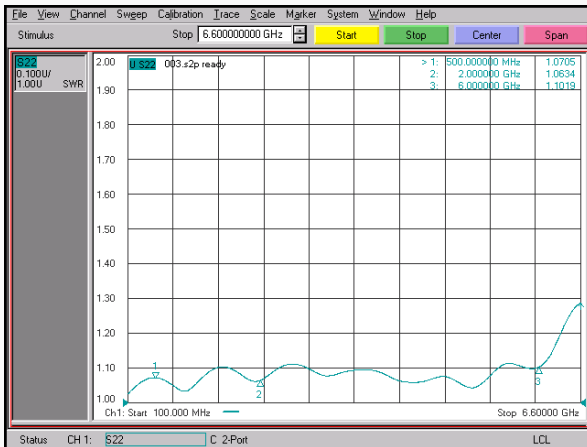
Insertion Loss (S21)



Primary VSWR



Secondary VSWR



Directivity



Nominal Coupling

