

# Soft Contact | Vertical Launch Connectors

Withwave's **Soft Contact | Vertical Launch Connectors with Pogo Pin** are specially designed for solderless vertical PCB launch without any deformation of signal trace on test & measurement board. These connectors have excellent electrical transition performance up to 26,5, 40, 50 & 67 GHz respectively as well as reduce installation time by eliminating soldering.



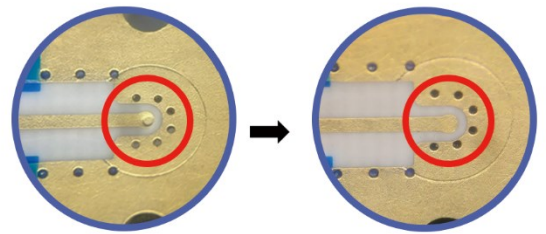
## ■ Features

- Easy & solderless installation on PCB
- No damage PCB pattern
- Enable use to flexible PCB



## ■ Application

- Thin substrate launch
- RF test & measurement
- High speed digital test

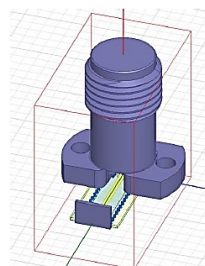
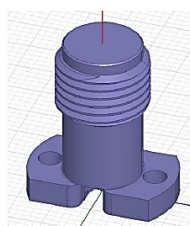


Standard Vertical type  
(Deformation on PCB)

**Soft Contact** Vertical Type  
(No deformation on PCB)

## ■ Design Assistance

- 3D Model for Mechanical Layout (STEP file)
- **ANSYS HFSS models** (version 17.0 or newer) for 3D EM(Electromagnetic) Simulation



## ■ Specification

Scope	Items	Specification
Electrical	Freq. range	DC to 40 GHz
	Impedance	50 Ohm
	VSWR(Max)	1.3 : 1 ( DC to 40 GHz)
Material	Connector type	2.92 mm type (Female, Male)
	Body & Block	Stainless Steel
	PIN	BeCu with Gold Plated
	Operating Temperature	-40 to + 125 °C

\* RoHS Compliant

## ■ Ordering Information

### Stripline type



Application	Type	Part No.
Stripline	Female	VC03FS005

### Microstrip type



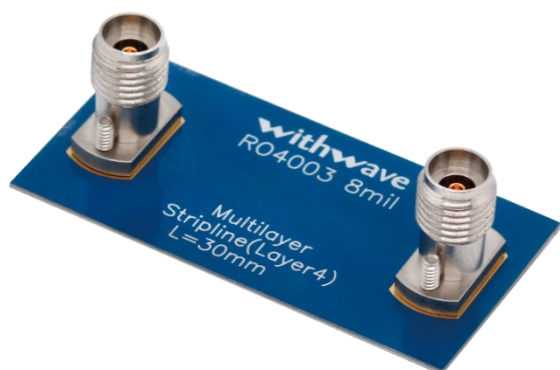
Application	Type	Part No.
Microstrip	Female	VC03FS004



## ■ Test Result (Stripline)

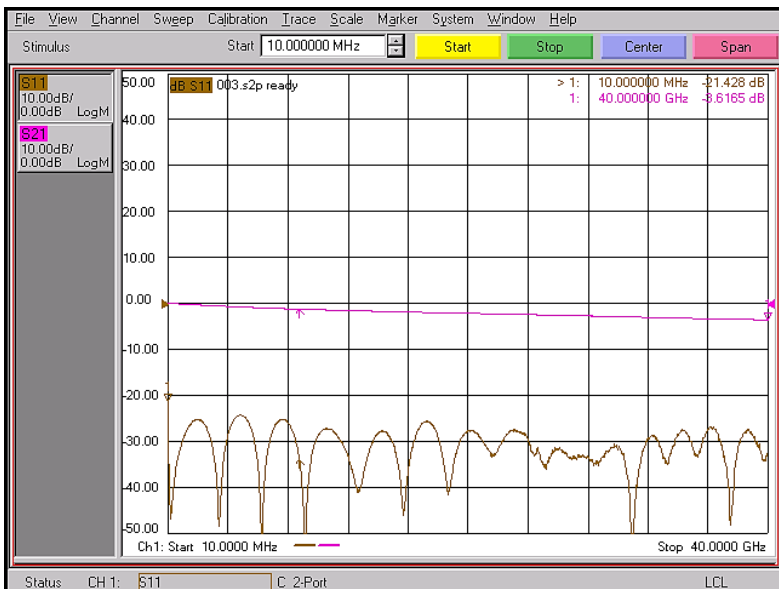
**Female type**

**Part No. : VC03FS005**



- Substrate : RO4003C(8 mil)
- Trace length : 30 mm (stripline)

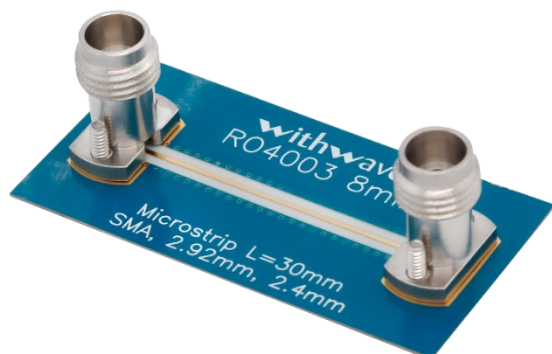
**Freq. : 10 MHz to 40 GHz**



## ■ Test Result (Microstripline)

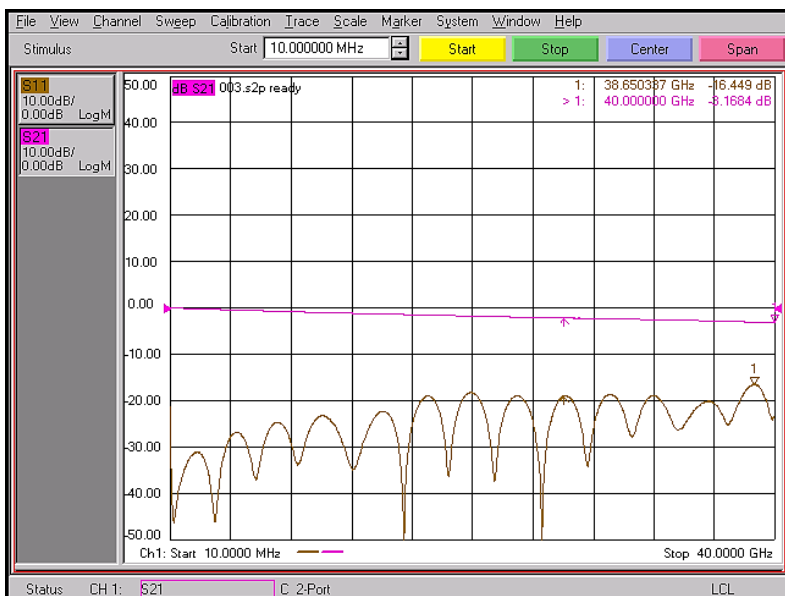
**Female type**

**Part No. : VC03FS004**



- Substrate : RO4003C(8 mil)
- Trace length : 30 mm (microstrip)

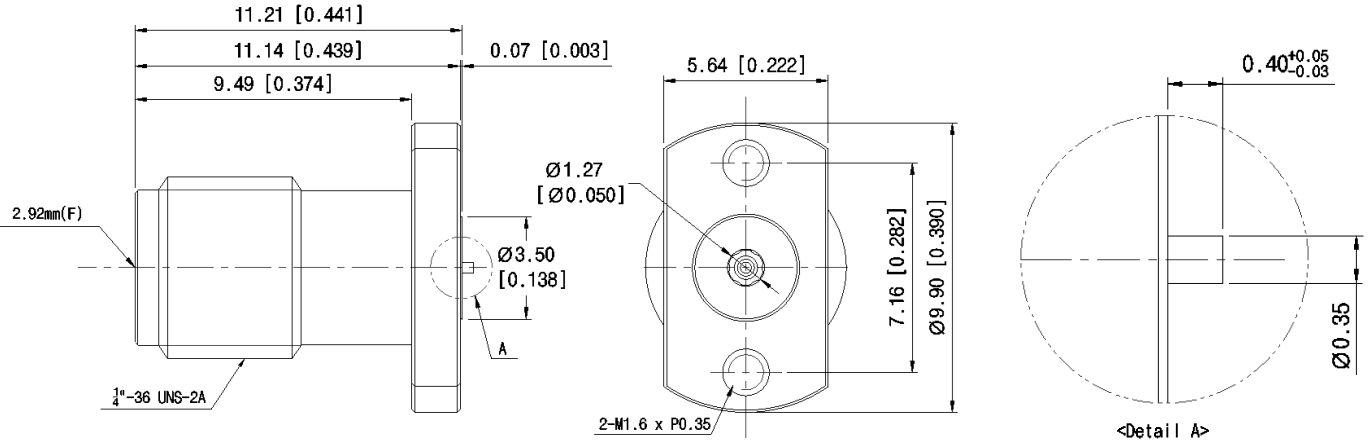
**Freq. : 10 MHz to 40 GHz**



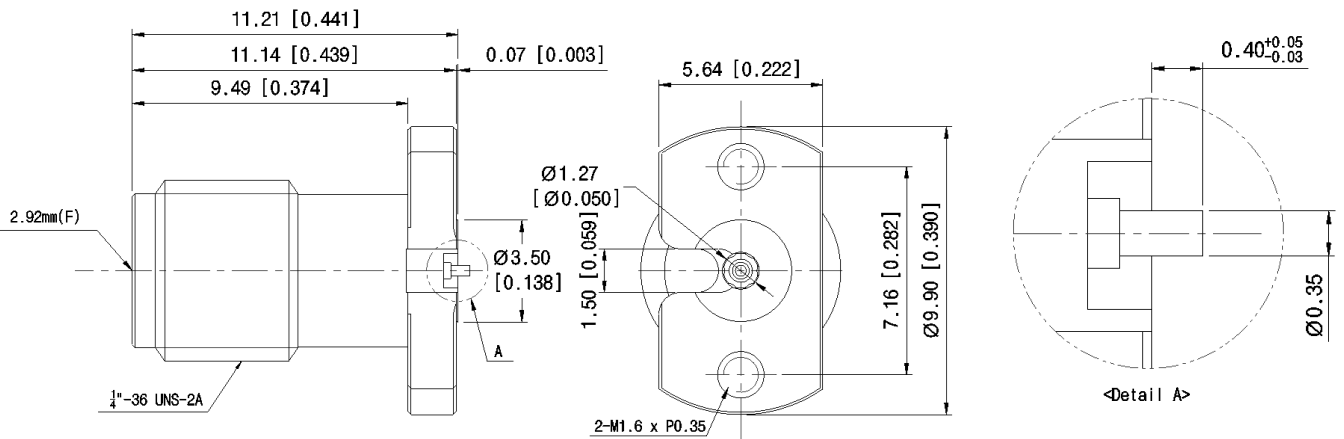
**Drawing**

**Stripline type**

Unit : mm

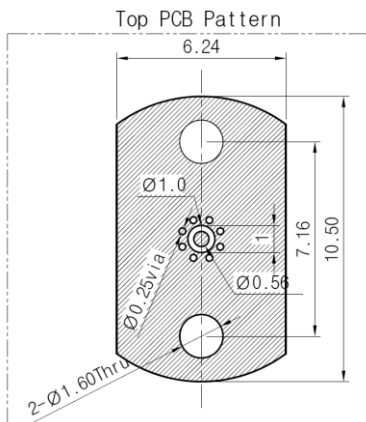


**Microstrip type**



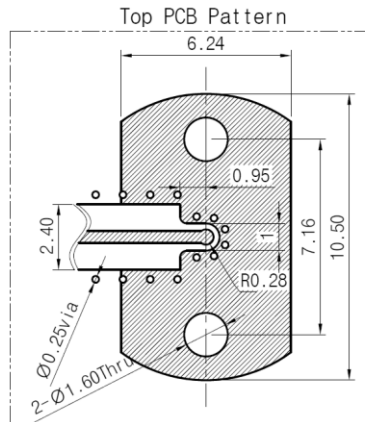
<Recommended PCB pattern>

**Stripline type**



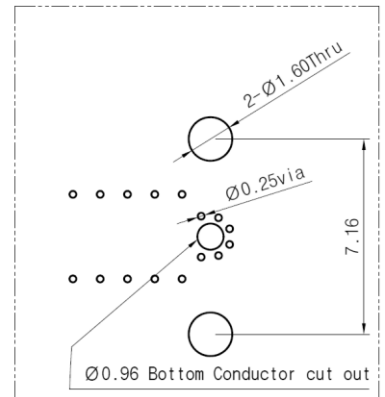
\* PCB : R04003C 8mil

**Microstrip type**



\* PCB : R04003C 8mil

**Bottom PCB Pattern**



## ■ Revision History

Revision	Date	Changes
Ver 1.0	2023-06-01	Release new soft contact vertical launch 2.92 mm connector