

# Precision Test Adapters

## 1.0 mm(M) to 2.4 mm(M)

**Withwave's Precision Test Adapters** are designed based on precision microwave interconnection technologies. **This 1.0 mm(M) to 2.4 mm(M)** adapter is manufactured to precise microwave specifications and constructed with male gender on both sides. The precision microwave connector interfaces ensure an excellent microwave performance up to 50 GHz



### ■ Features

- Frequency range : DC to 50 GHz
- VSWR : 1.3 : 1(Max) @ 50 GHz
- Stainless steel (passivated)

### ■ Specification

| Scope      | Specification        | AD00M02MS1                 |
|------------|----------------------|----------------------------|
| Electrical | Impedance(Ohm)       | 50                         |
|            | Operation Freq.(GHz) | DC to 50 GHz               |
|            | VSWR (Max)           | 1.3 : 1 @ 50 GHz           |
| Material   | Dielectric           | Special dielectric         |
|            | Center Contact       | Brass with gold plated     |
|            | Body                 | Passivated Stainless Steel |

\* RoHS Compliant

# Precision Test Adapters

## 1.0 mm(M) to 2.4 mm(M)

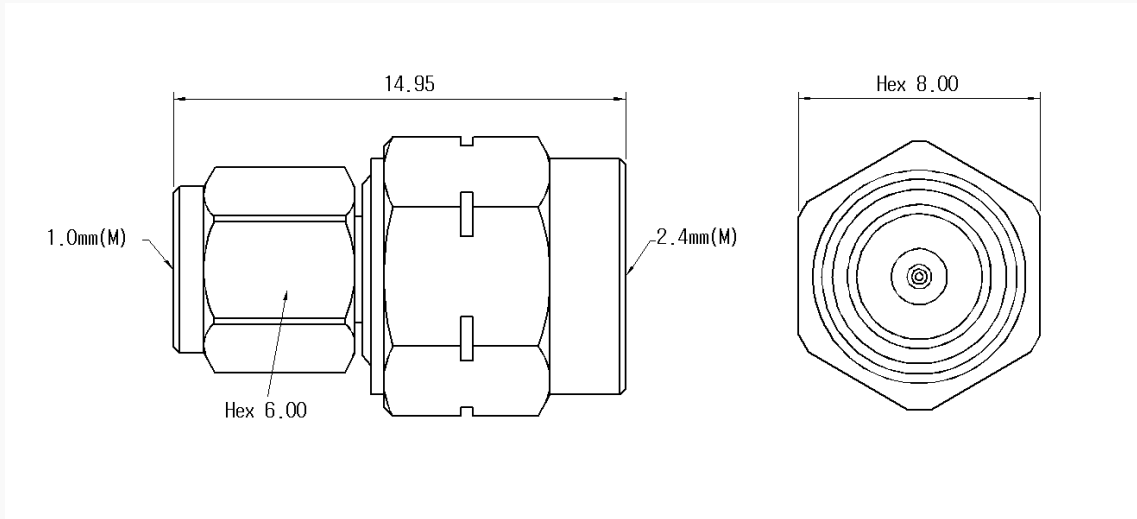
withwave

Versatile RF & MW Test Solutions

### ■ Drawing

Part No.: AD00M02MS1

Unit : mm



### ■ Test Result

▪ Frequency : 10 MHz to 50 GHz

