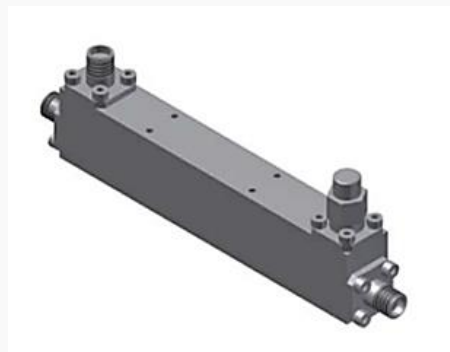


Withwave's Directional Coupler offer frequency range from 1 GHz to 40 GHz and low insertion loss & VSWR. This Coupler (BC10400-10-SF) have 10 dB coupling & 10 dB directivity characteristics.

■ Features

- Coupling : 10 dB
- Directivity : 10 dB
- Connector : 2.92 mm(Female)



■ Specification

Scope	Specification	BC10400-10-KF
Electrical	Impedance	50 Ohm
	Freq. range	1 to 40 GHz
	Insertion Loss	2.5 dB
	VSWR	1.6
	Coupling	10 dB
	Coupling Sensitivity	± 1.25
	Directivity	10 dB
	Power Handling	50 W
Mechanical & Environmental	Connector	2.92 mm (Female)
	Temperature	-40 to + 85 degree

■ Drawing

Unit : mm

