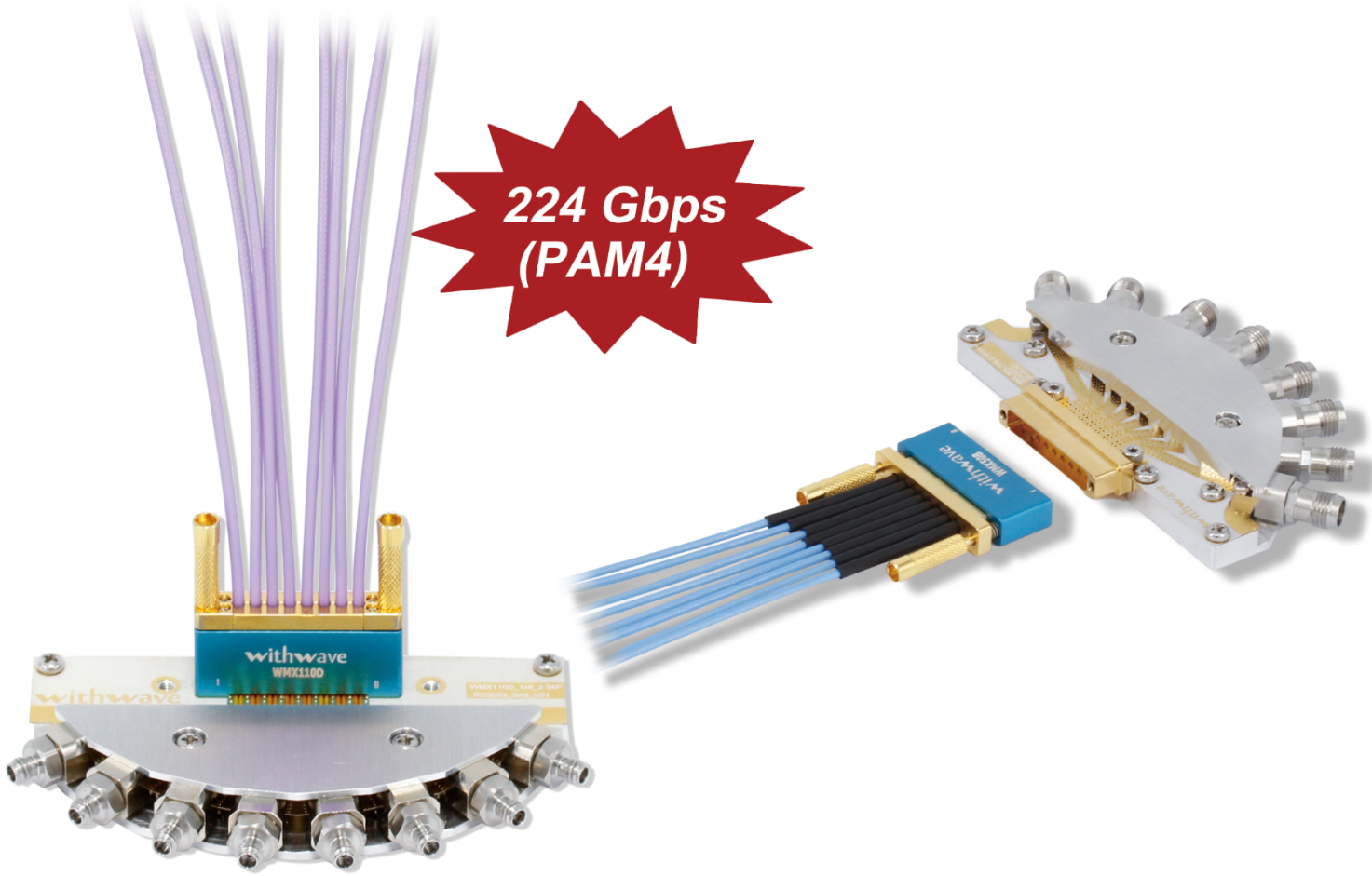


**WMX Series (High speed & High-density Multi-coax Cable assembly)**



**Withwave's High Speed & High-density Multicoax Cable Assemblies (WMX Series)** provides a wide range of multiple coax connectors and flexible cable assemblies with a choice of 20,40,50,67 & 110 GHz configurations based on precision array design and superior high frequency cabling solutions. The WMX series is an excellent signal integrity solution for bench-top and automated test equipment to meet increasing demands of the semiconductor and optical test industries.



**Vertical Mount**

**Edge Mount**

## · Features

### Vertical Mount

- Frequency Range : DC to 20, 40, 50, 67 & 110 GHz
- Excellent Insertion and Return loss performance
- Socket & Direct Contact type (Solderless pins)
- No. of Channel : 1x8, 2x8 Channel
- Pitch : 2.54 mm & 4.00 mm

### Edge Mount

- Frequency Range : DC to 20, 40, 50 & 67 GHz
- Excellent Insertion and Return loss performance
- Board edge socket contact type (solderless)
- No. of Channel : 1x8 Channel
- Pitch : 2.54 mm

## · Application

- Semiconductor & Optical test equipment
- High speed testing module
- Super Computing
- 5G Communication systems

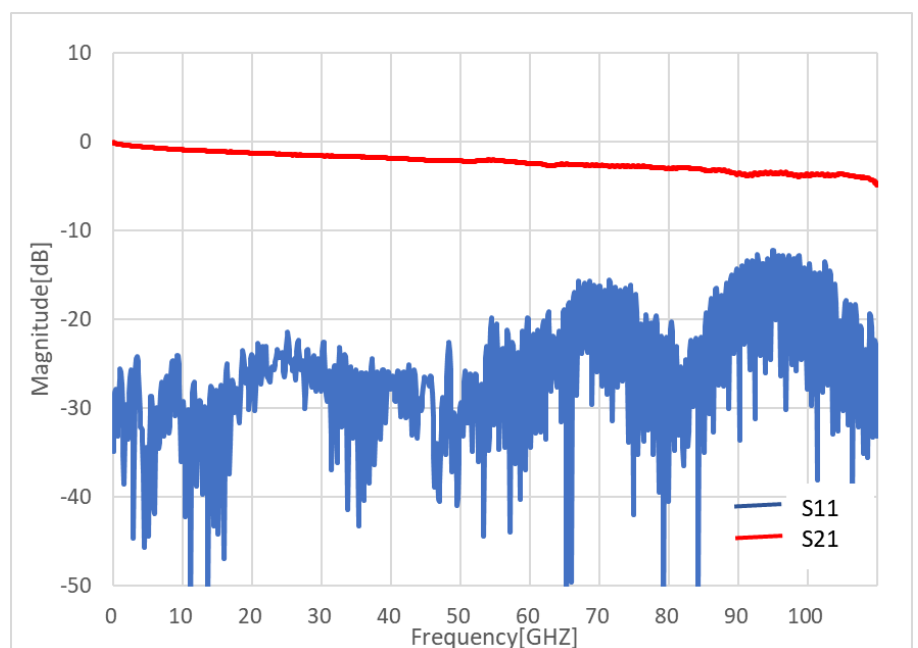


## · Specification

Specification	WMX20	WMX40	WMX50	WMX67	WMX110
<b>SERDES Characterization</b>	<b>PAM4 28 Gbps</b>	<b>PAM4 56 Gbps</b>	<b>PAM4 56 Gbps</b>	<b>PAM4 112 Gbps</b>	<b>PAM4 224 Gbps</b>
Freq. Range(Max)	20GHz	40GHz	50GHz	67GHz	110GHz
Connector type	SMA	2.92mm	2.4mm	1.85mm	1.0mm
PCB Mount type	<ul style="list-style-type: none"> <li>Vertical (Straight) : Direct / Socket</li> <li>Board Edge (Right Angle) : Socket</li> </ul>				<ul style="list-style-type: none"> <li>Vertical : Direct</li> </ul>
VSWR (Board Edge)	<ul style="list-style-type: none"> <li>Vertical (StraightA) : 1.5:1</li> <li>Board Edge (Right Angle) : 1.6:1</li> </ul>				1.8:1
No. of Positions	<ul style="list-style-type: none"> <li>Vertical (Straight) : 8 (1x8), 16 (2x8)</li> <li>Board Edge (Right Angle) : 8 (1x8)</li> </ul>				
Pitch	<ul style="list-style-type: none"> <li>Vertical (Straight) : 2.54mm, 4.0mm</li> <li>Board Edge (Right Angle) : 2.54mm</li> </ul>				2.54mm
Min. Cable Length	150 mm (*Contact us for other lengths)				
Temperature	-55 ~ +125 °C				

## · Test condition & results (Vertical type)

<b>WMX110 (1x8 Channel)</b>
- Cable Length : 150 mm
- Connector : 1.0mm (Male)
<b>Test Board</b>
- PCB : 2Layer (RO3003C 5mil)
- RF Trace length : 31.21 mm
- Connector : End Launch 1.0 mm(Female)



\* De-embedded result using 2xthru test fixture

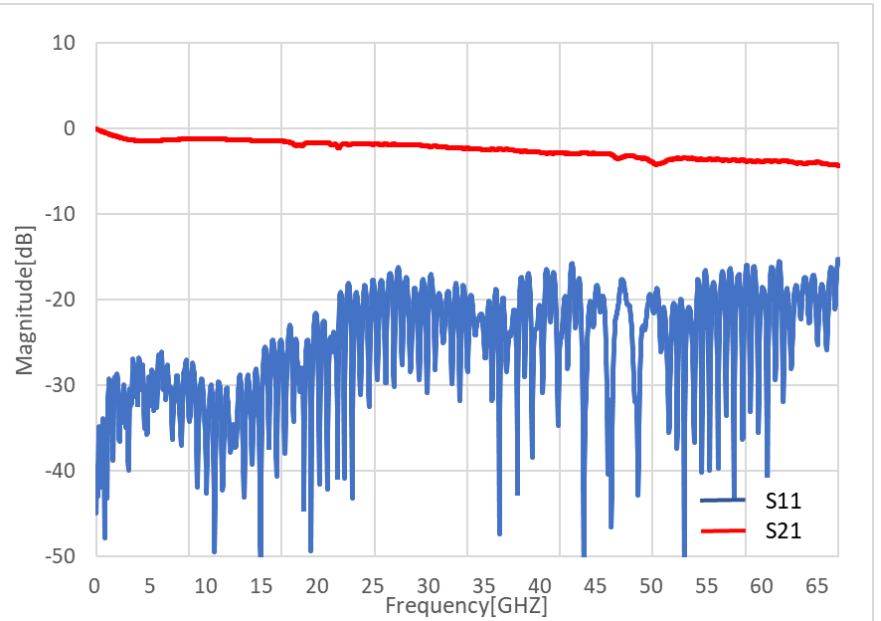
## Test condition & results (Board-Edge type)

### WMX67B (1x8 Channel)

- Cable Length : 150 mm
- Connector : 1.85mm (Male)

### Test Board

- PCB : RO4003C 8mil
- RF Trace length : 31.9 mm
- Connector : End Launch 1.85 mm(Female)

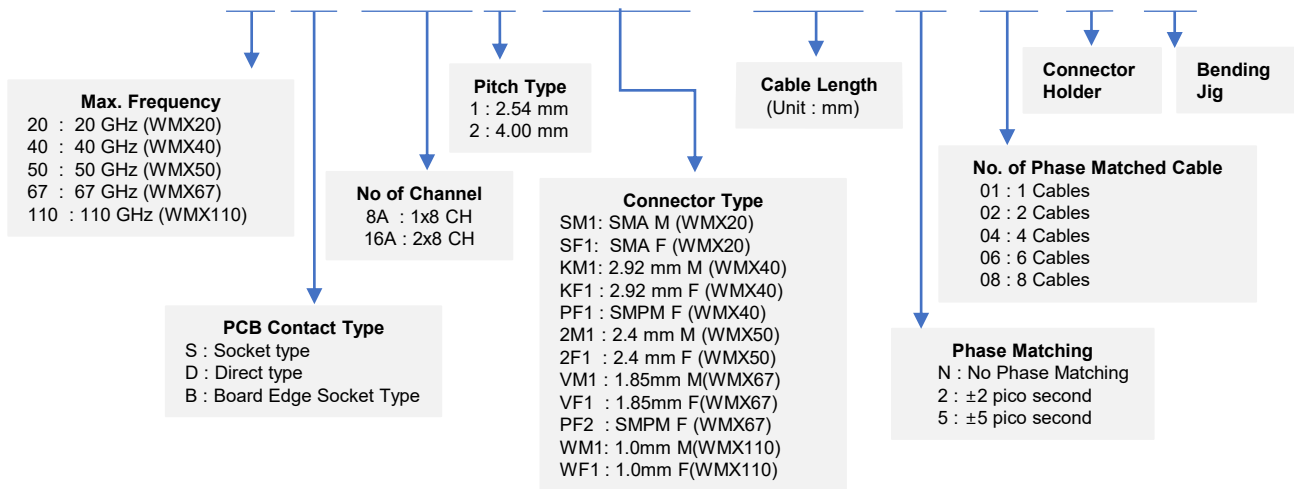


\* De-embedded result using 2xthru test fixture

## Selection Guide

### Selection Guide (WMX Series)

# WMX40B-8A1-KM1-300-2-02-HB



## Selection Guide (Socket)

# WMX-8A-01



- Pitch Type**
  - 01 : 2.54 mm
  - 02 : 4.00 mm
- No of Channel**
  - 8A : 1x8 Channel
  - 16A : 2x8 Channel

# WMX-8A-01-B



- Socket Type**
  - B : Board Edge
- Pitch Type**
  - 01 : 2.54 mm
- No of Channel**
  - 8A : 1x8 Channel