

Withwave's Precision Test Adapters are designed based on precision microwave interconnection technologies. **This SMP(F) to SMP(F) adapter with Bullet type** is manufactured to precise microwave specifications and constructed with female gender on side 1 and female gender side 2.

The precision microwave connector interfaces ensure an excellent microwave performance up to 40 GHz.



■ Features

- Frequency range : DC to 40 GHz
- VSWR : 1.2 : 1(Max) @ 40 GHz
- Beryllium copper (gold plated)

■ Specification

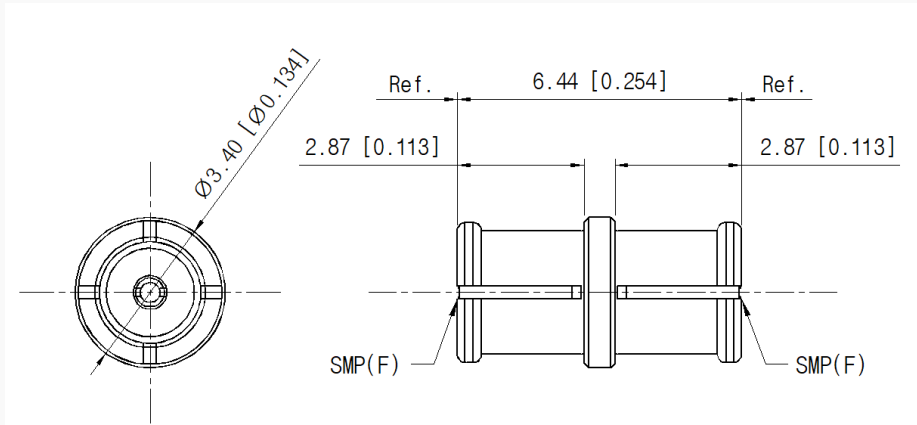
Scope	Specification	AD05F05FS1
Electrical	Impedance(Ohm)	50
	Operation Freq.(GHz)	DC to 40 GHz
	VSWR (Max)	1.2 : 1 @ 40 GHz
Material	Dielectric	Special dielectric
	Center Contact	Beryllium copper with gold plated
	Body	Beryllium copper with gold plated
	Operating Temperature	-40 to +125 °C

* RoHS Compliant

Drawing

Part No.: AD05F05FS2

Unit : mm[inch]



Test Result

Frequency : 10 MHz to 40 GHz

