

Precision Test Adapters

2.4 mm(F) to 3.5 mm(F)

Withwave's Precision Test Adapters are designed based on precision microwave interconnection technologies. This 2.4 mm(F) to 3.5mm(F) adapter is manufactured to precise microwave specifications and constructed with female gender on side 1 and female gender side 2. The precision microwave connector interfaces ensure an excellent microwave performance up to 34 GHz



■ Features

- Frequency range : DC to 34 GHz
- VSWR : 1.25 : 1(Max) @ 34 GHz

■ Specification

| Scope | Specification | AD02F04FS1 |
|------------|----------------------|-------------------------------|
| Electrical | Impedance(Ohm) | 50 |
| | Operation Freq.(GHz) | DC to 34 GHz |
| | VSWR (Max) | 1.25: 1 |
| Material | Dielectric | Special dielectric |
| | Center Contact | BeCu with gold plated |
| | Body | Passivated Stainless Steel |

* RoHS Compliant

Precision Test Adapters

2.4 mm(F) to 3.5 mm(F)

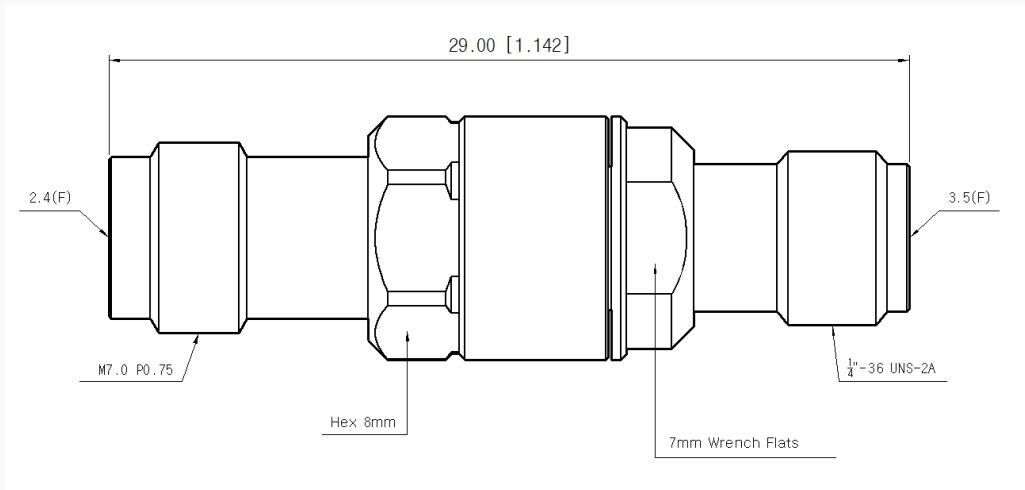
withwave

Versatile RF & MW Test Solutions

■ Drawing

Part No.: AD02F04FS1

Unit : mm[inch]



■ Test Result

▪ Frequency : 10 MHz to 34 GHz

