

# Precision Test Adapters

## SMA(F) to SMA(F)

**Withwave's Precision Test Adapters** are designed based on precision microwave interconnection technologies. This SMA(F) to SMA(F) adapter is manufactured to precise microwave specifications and constructed with female gender on side 1 and female gender side 2. The precision microwave connector interfaces ensure an excellent microwave performance up to 18 GHz



### ■ Features

- Frequency range : DC to 18 GHz
- VSWR(Max) : 1.15 : 1
- Stainless steel (passivated)

### ■ Specification

Scope	Specification	AD06F06FS1
Electrical	Impedance(Ohm)	50
	Operation Freq.(GHz)	DC to 18 GHz
	VSWR (Max)	1.15 : 1
Material	Dielectric	PTFE
	Center Contact	Beryllium copper with gold plated
	Body	Passivated Stainless Steel
	Operating Temperature	-65 to +165 °C

\* RoHS Compliant

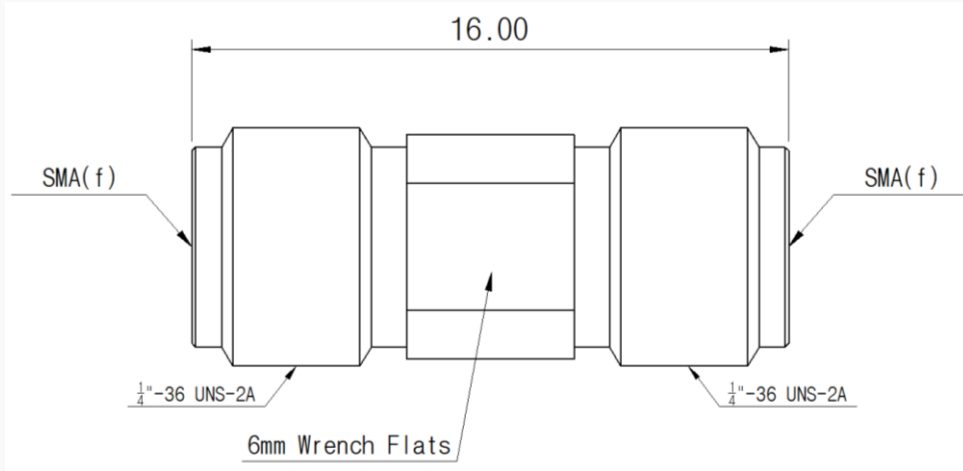
# Precision Test Adapters

## SMA(F) to SMA(F)

### Drawing

Part No.: AD06F06FS1

Unit : mm



### Test Result

