

Withwave's Directional Coupler offer frequency range from 4 to 8 GHz and low insertion loss & VSWR. This Coupler (BC4080-30-SF) have 30 dB coupling & 15 dB directivity characteristics.

■ Features

- Nominal Coupling : 30 ± 1 dB
- Directivity : 15 dB (Min.)
- SMA Connector (Female)



■ Specification

Scope	Specification	BC4080-30-SF
Electrical	Impedance	50 Ohm
	Freq. range	4 to 8 GHz
	Nominal Coupling	30 ± 1 dB
	Insertion Loss	0.6 dB
	VSWR Primary	1.30:1 (Max.)
	VSWR Secondary	1.30:1 (Max.)
	Directivity	15 dB (Min.)
	Average Power	50 W
Mechanical & Environmental	Input / Output Connector	SMA (Female)
	Weight	49.5 g
	Material	Aluminum
	Finishing	Black paint
	Operating Temperature Range	-40°C to +85 °C

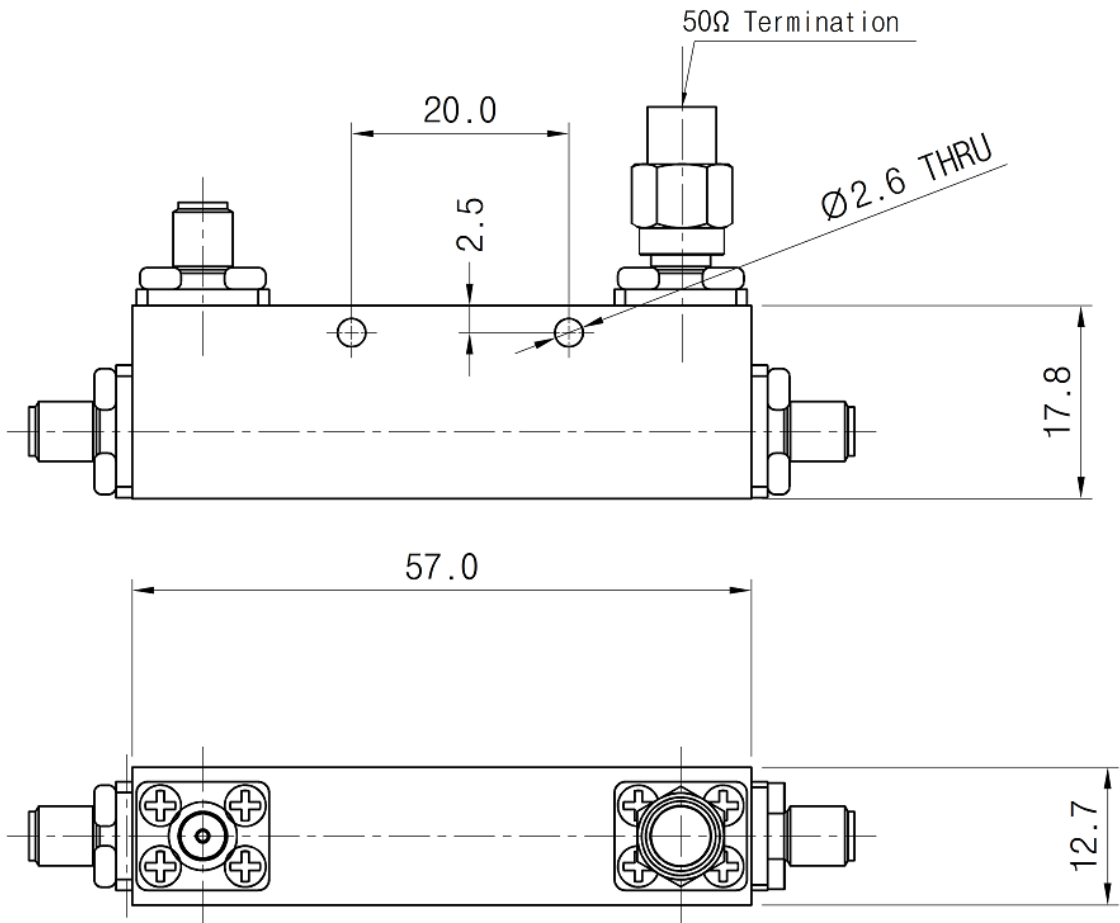
Directional Coupler

4 to 8 GHz
30 dB Coupling

withwave
Next Generation Connectivity

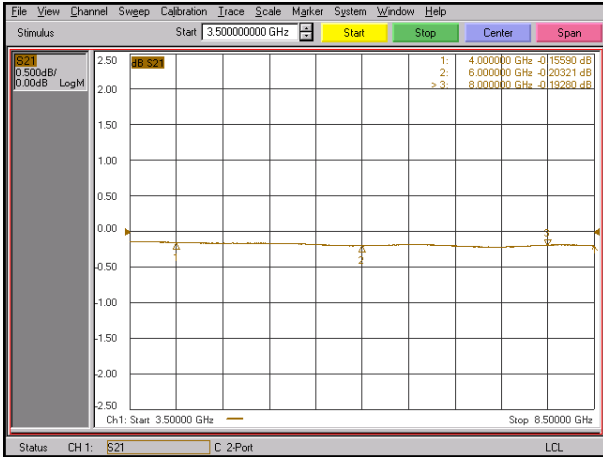
■ Drawing

Unit : mm
Outline Tolerances ± 0.5
Mounting Holes Tolerances ± 0.2

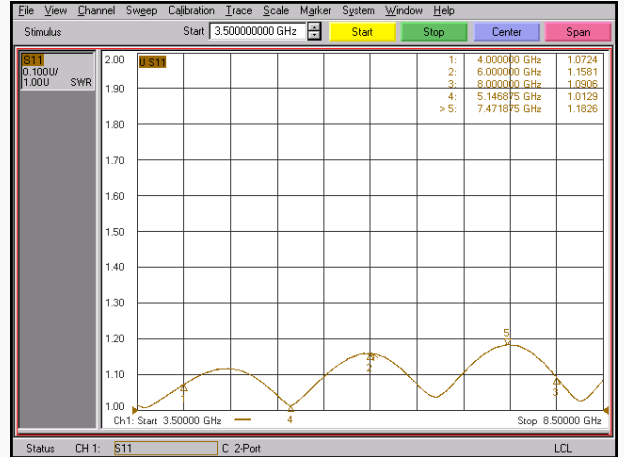


Measurement

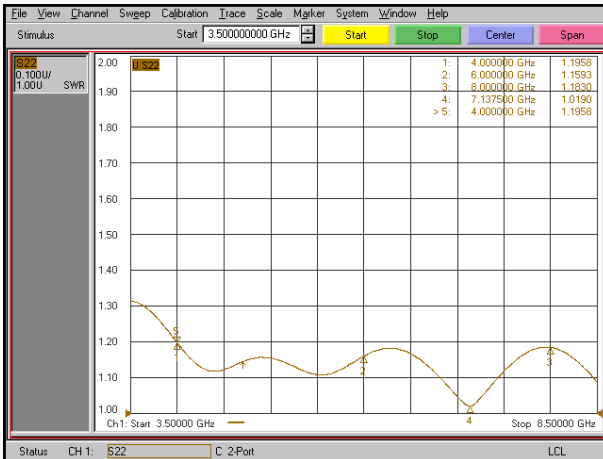
Insertion Loss (S21)



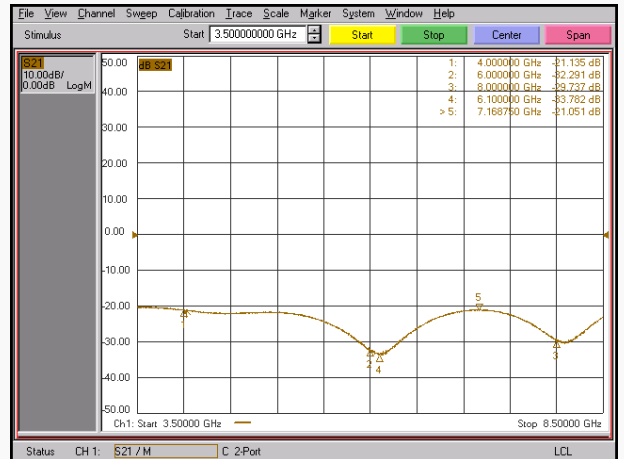
Primary VSWR



Secondary VSWR



Directivity



Nominal Coupling

