

Withwave's Precision Test Adapters are designed based on precision microwave interconnection technologies. This 2.4 mm(M) to 2.4 mm(F) **Right Angle adapter** is manufactured to precise microwave specifications and constructed with male gender on side 1 and female gender on side 2.

The precision microwave connector interfaces ensure an excellent microwave performance up to 50 GHz



■ Features

- Frequency range : DC to 50 GHz
- VSWR(Max) : 1.25 : 1 @ 50 GHz
- Body : Stainless steel (passivated)

■ Specification

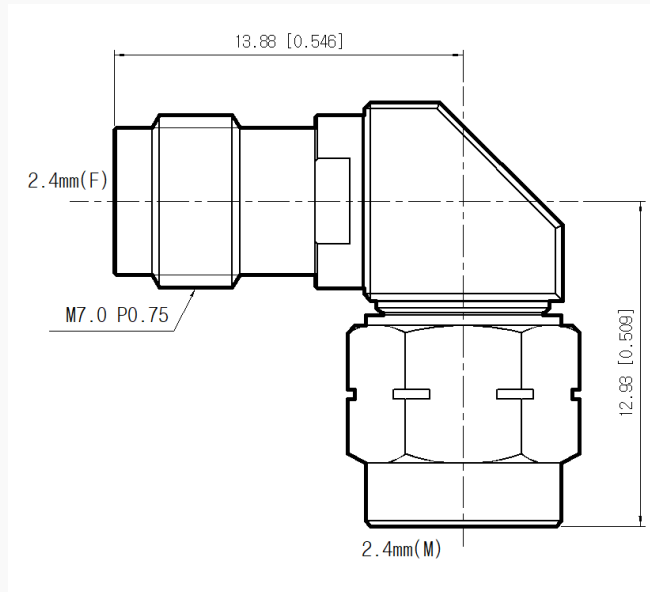
Scope	Specification	AD02M02FR1
Electrical	Impedance(Ohm)	50
	Operation Freq.(GHz)	DC to 50 GHz
	VSWR (Max)	1.25 : 1
Material	Dielectric	Special dielectric
	Center Contact	Brass with gold plated
	Body	Passivated Stainless Steel

* RoHS Compliant

■ Drawing

Part No.: AD02M02FR1

Unit : mm[inch]



■ Test Result

▪ Frequency : 10 MHz to 50 GHz

