

Withwave's High Speed & High-density Multicoax Cable Assemblies(WMX Series) provides a wide range of multiple coax connectors and flexible cable assemblies. Specially, Board Edge Socket type(BES) is excellent signal integrity solutions at edge of PCB for bench-top testing and automated test equipment to meet increasing demands of semiconductor test equipment and optical testing industries.



#### ■ Features

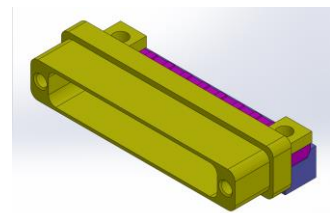
- Frequency Range : DC to 20, 40 & 50 GHz
- Excellent Insertion and Return loss performance
- Board edge socket contact type (solderless)
- No. of Channel : 1x8 Channel
- Pitch : 2.54 mm

#### ■ Applications

- Semiconductor & Optical test equipment
- High speed testing module
- Super Computing

#### ■ Design Assistance

- 3D Model for Mechanical Layout (Step file)

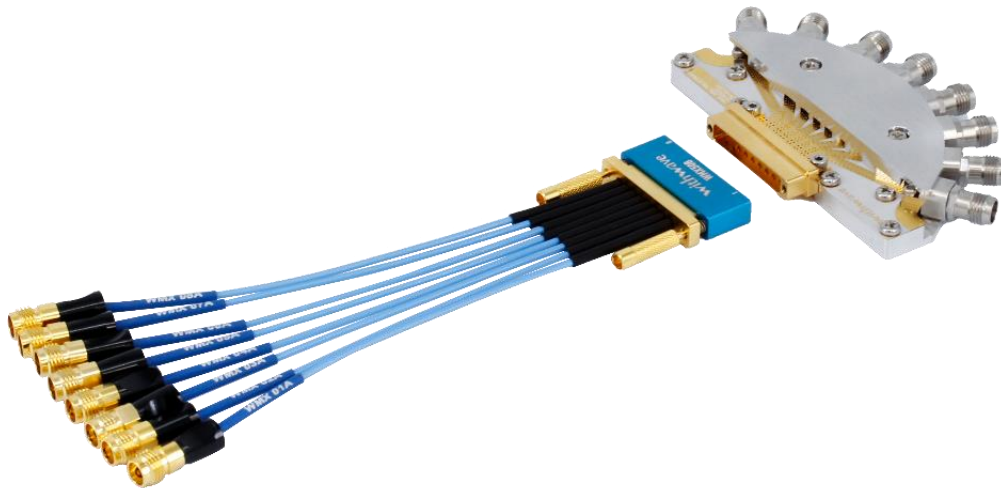


### ■ Specification

Scope	Specification	WMX20B	WMX40B	WMX50B
<b>Electrical</b>	Freq. Range (Max)	20	40	50
	Operating range/data rate	20 Gbps	40 Gbps	50 Gbps
	Impedance	50 Ohm		
	VSWR *	1.4	1.5	1.6
<b>Mechanical &amp; Environmental</b>	PCB Contact type	Board Edge Socket type		
	No. of Channel	1x8 (8 Channel)		
	Connector type	SMA	2.92 mm	2.4 mm
	Pitch	2.54 mm		
	Cable Out Diameter **	0.047 inch		
	Min. Cable length	80 mm (without bending jig) 150 mm (including bending jig)		
	Temperature	-55 ~+125 °C		

\* Test Condition

- Cable length : 150 mm(O.D : 0.047 inch)
- PCB : Multilayer (RO4003C 8 mil), RF Trace Length : 31.9 mm(*CBCPW Structure*)



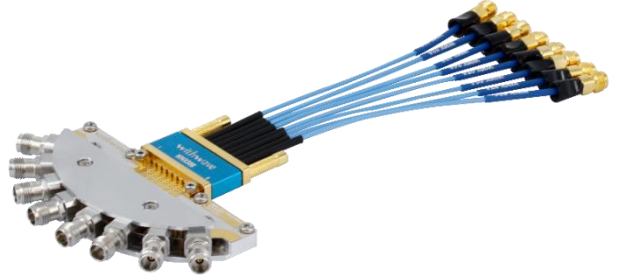
### ■ Test Condition

- **WMX50B**

- Cable Length : 150 mm (O.D : 0.047 inch)
- Connector : 2.4mm (Female)

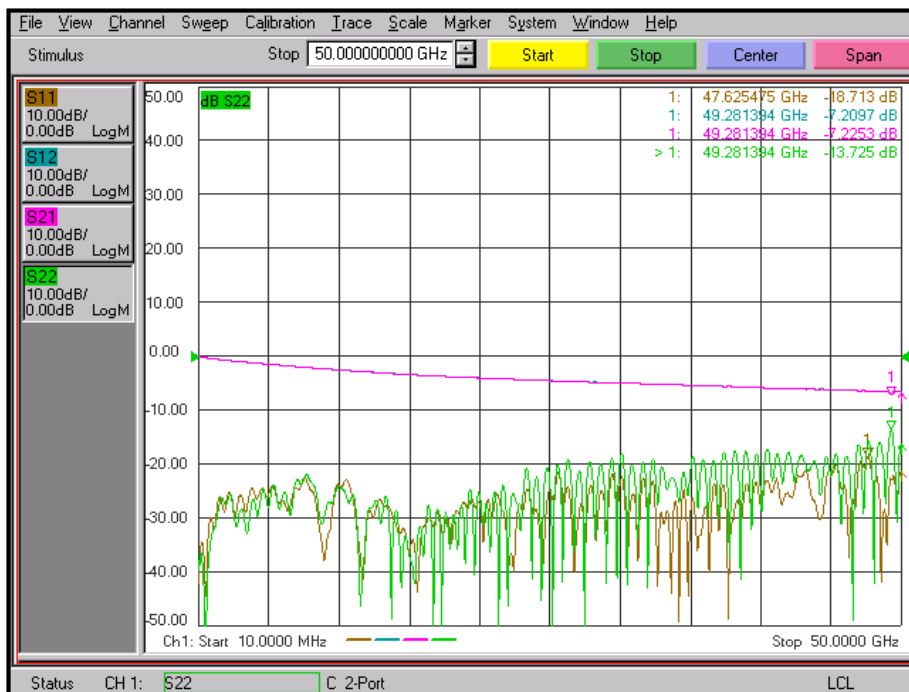
- **Test Board**

- PCB : RO4003C 8mil
- RF Trace length : 31.9 mm(CBCPW Structure)
- Connector : End Launch 2.4 mm(Narrow Block, female)



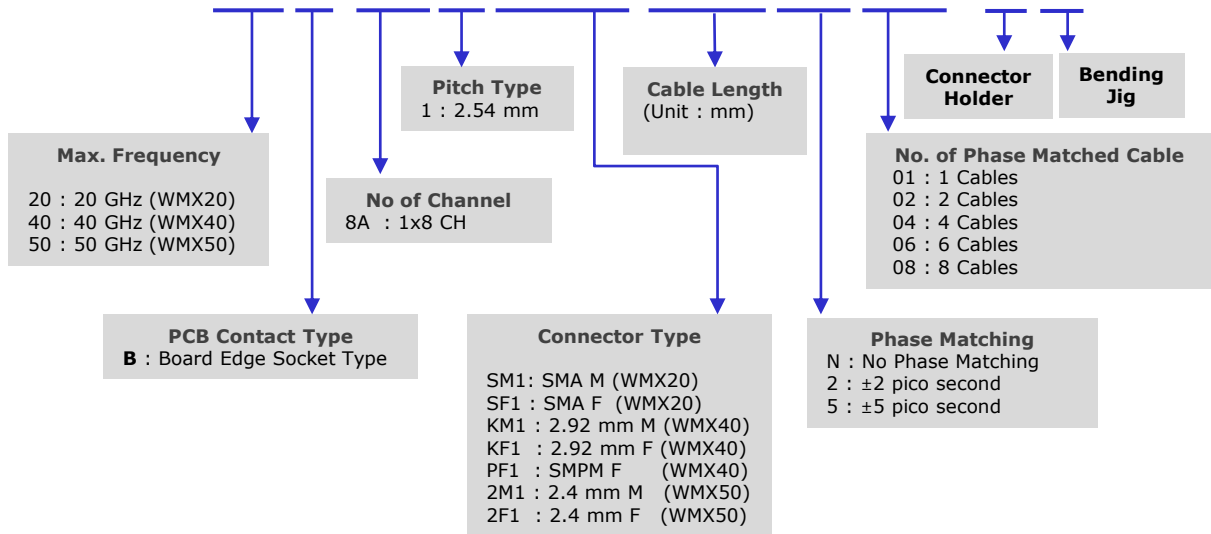
### ■ Test Results

\* Freq: 10 MHz to 50 GHz



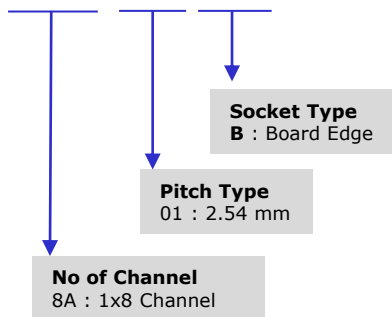
#### ■ Selection Guide (WMX Series)

## WMX40B-8A1-KM1-300-2-02-(HB)



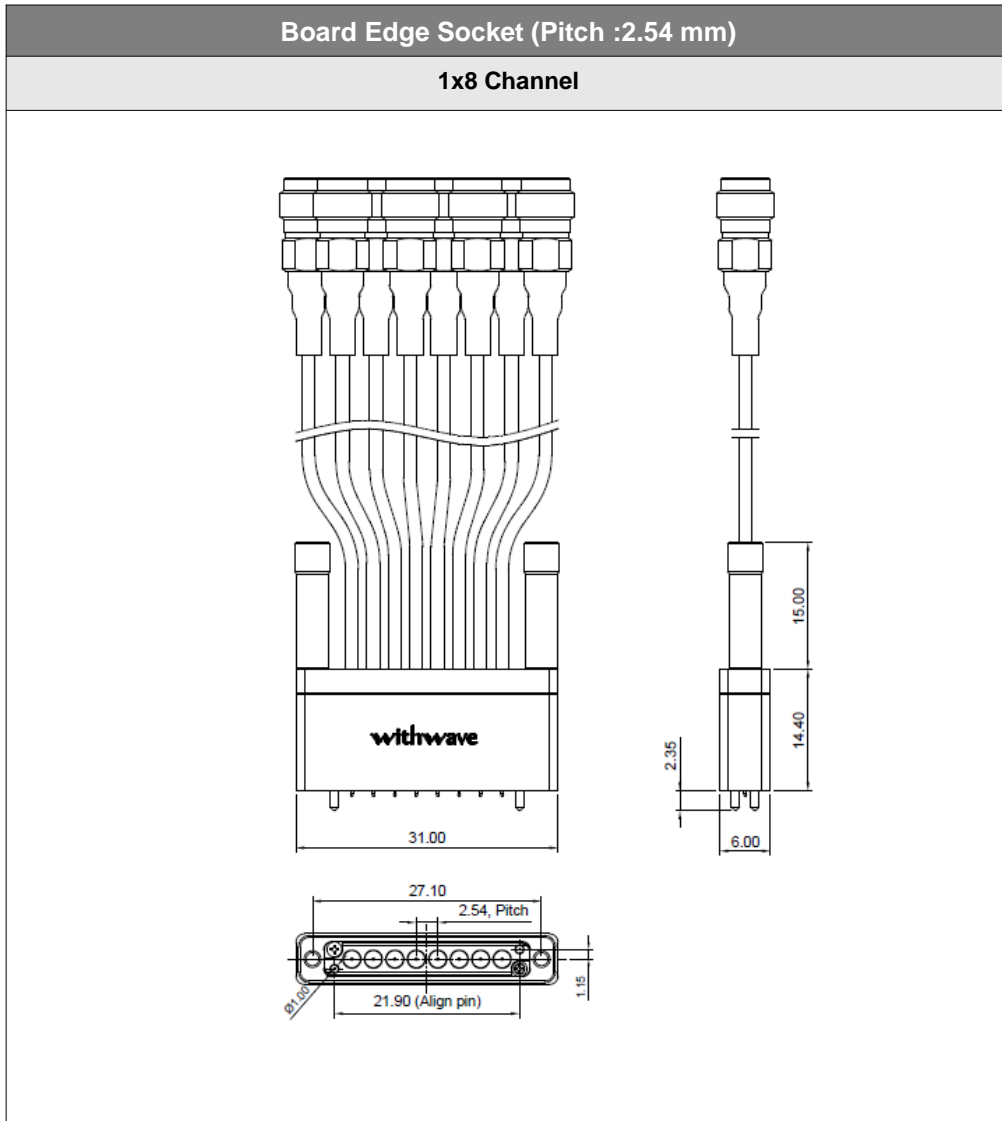
#### ■ Selection Guide (Board Edge Socket)

## WMX-8A-01-B



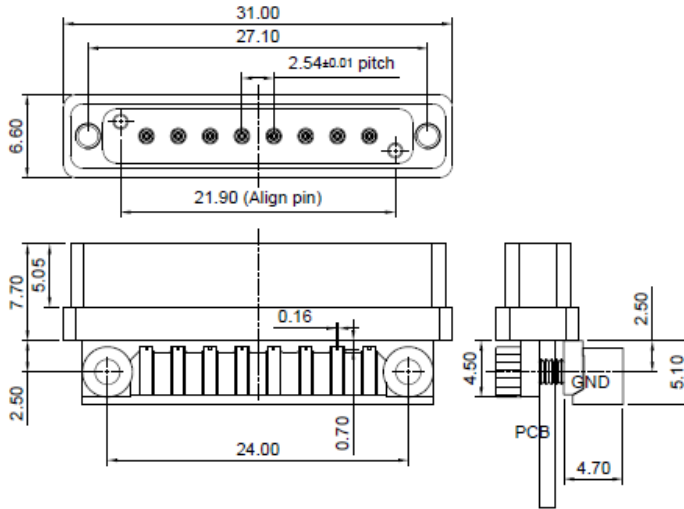
■ Drawing

Unit : [mm]



### ■ Drawing (Board Edge Socket)

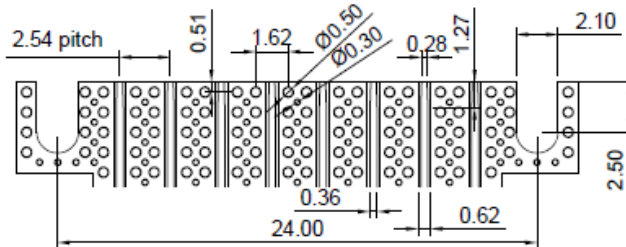
Unit : [mm]



### ■ Recommended PCB Patterns

Unit : [mm]

## RO4003C/8mil



### ■ Revision History

Revision	Date	Changes
Ver 1.0	2022-05-30	Released WMX Board Edge Socket