

# Precision Test Adapters

## 2.4 mm(F) to SMPM(F)

withwave

Versatile RF & MW Test Solutions

**Withwave's Precision Test Adapters** are designed based on precision microwave interconnection technologies. **This 2.4mm(F) to SMPM(F)** adapter is manufactured to precise microwave specifications and constructed with female gender on side 1 and female gender side 2. The precision microwave connector interfaces ensure an excellent microwave performance up to 50 GHz



### ■ Features

- Frequency range : DC to 50 GHz
- VSWR : 1.4 : 1(Max) @ 50 GHz
- Stainless steel (passivated)

### ■ Specification

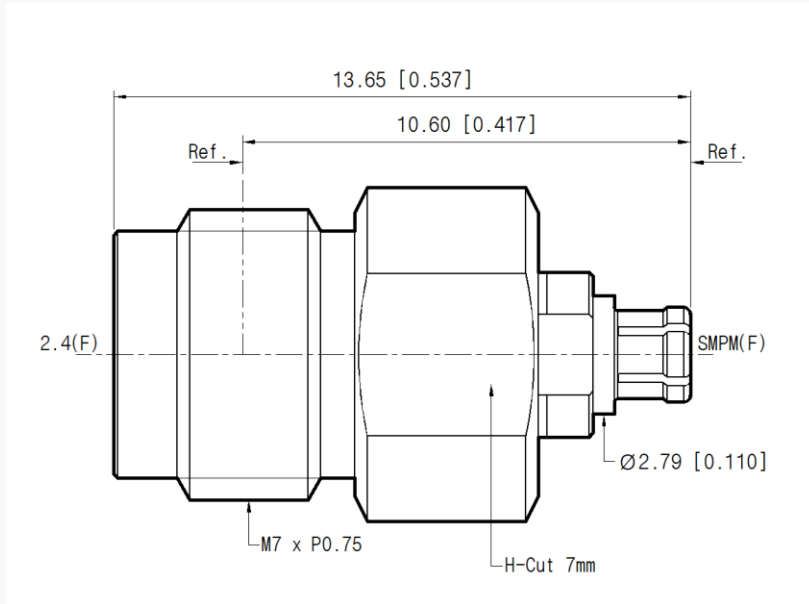
Scope	Specification	AD02F17FS1
Electrical	Impedance(Ohm)	50
	Operation Freq.(GHz)	DC to 50 GHz
	VSWR (Max)	1.4: 1 @ 50 GHz
Material	Dielectric	Special dielectric
	Center Contact	Beryllium copper with gold plated
	Body	Passivated Stainless Steel
	Operating Temperature	-65 to +165 °C

\* RoHS Compliant

### ■ Drawing

Part No.: AD02F17FS1

Unit : mm



### ■ Test Result

▪ Frequency : 10 MHz to 50 GHz

