

Precision Test Adapters

3.5 mm(M) to 3.5 mm(M)

Withwave's Precision Test Adapters are designed based on precision microwave interconnection technologies. This 3.5 mm(M) to 3.5 mm(M) adapter is manufactured to precise microwave specifications and constructed with male gender on side 1 and male gender side 2. The precision microwave connector interfaces ensure an excellent microwave performance up to 34 GHz



■ Features

- Frequency range : DC to 34 GHz
- VSWR 1.20 : 1 (Max) @ 34 GHz
- Body : Stainless steel (passivated)

■ Specification

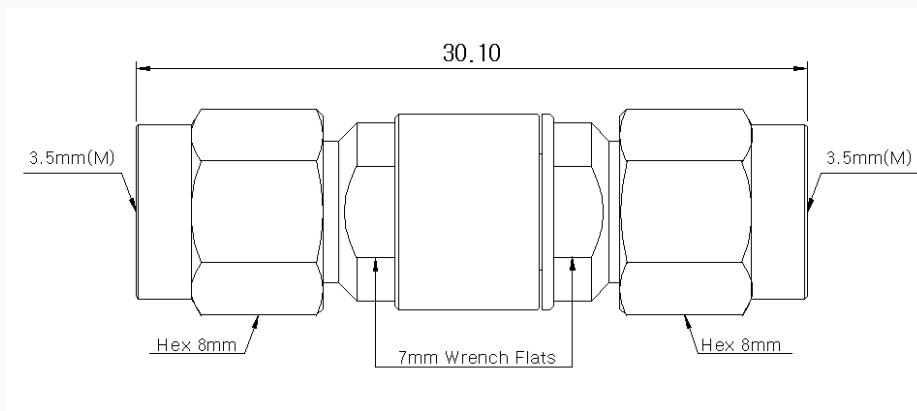
Scope	Specification	AD04M04MS1
Electrical	Impedance(Ohm)	50
	Operation Freq.(GHz)	DC to 34 GHz
	VSWR (Max)	1.20 : 1
Material	Dielectric	Special dielectric
	Center Contact	* RoHS Compliant Brass with gold plated
	Body	Passivated Stainless Steel

* RoHS Compliant

■ Drawing

Part No.: AD04M04MS1

Unit : mm



■ Test Result

▪ Frequency : 10 MHz to 34 GHz

