

Withwave's Low PIM Test Adapters are designed based on precision microwave interconnection technologies. **This DIN(M) to N(F) adapter** is manufactured to precise microwave specifications and constructed with male gender on side 1 and female gender side 2.

The precision microwave connector interfaces ensure an excellent microwave performance up to 6 GHz



■ Features

- Frequency range : DC to 6 GHz
- VSWR(Max) : 1.20 : 1
- Passive Intermodulation (Max.) : -165 dBc
- Contact : Silver Plated Beryllium Copper

■ Specification

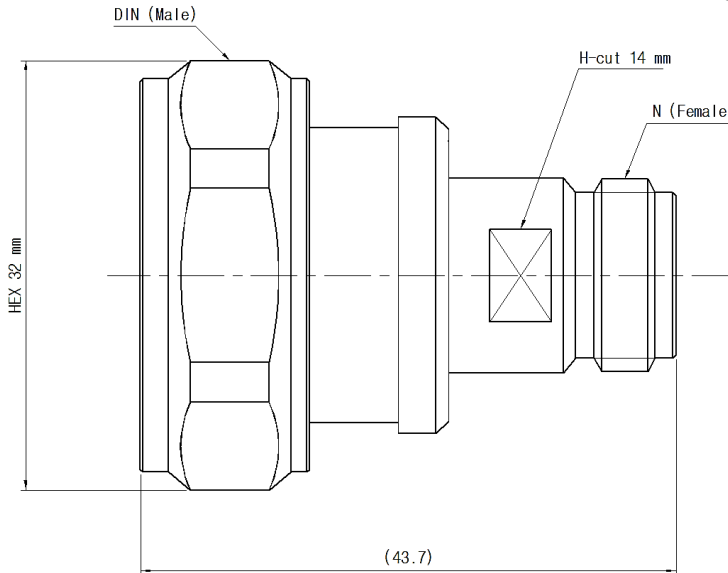
| Scope | Specification | AD21M07FS1 |
|------------|-----------------------|-------------------------------------|
| Electrical | Impedance(Ohm) | 50 |
| | Operation Freq.(GHz) | DC to 6 GHz |
| | VSWR (Max) | 1.20 : 1 |
| Material | Dielectric | Special dielectric |
| | Center Contact | Beryllium copper with Silver plated |
| | Body | Brass with Ternary Alloy plated |
| | Operating Temperature | -65 to +165 °C |

* RoHS Compliant

■ Drawing

Part No.: AD21M07FS1

Unit : mm



■ Test Result

▪ Frequency : 10 MHz to 6 GHz

