

Precision Test Adapters

1.0 mm(F) to 2.4 mm(F)

withwave

Versatile RF & MW Test Solutions

Withwave's Precision Test Adapters are designed based on precision microwave interconnection technologies. **This 1.0 mm(F) to 2.4 mm(F)** adapter is manufactured to precise microwave specifications and constructed with female gender on both sides. The precision microwave connector interfaces ensure an excellent microwave performance up to 50 GHz



■ Features

- Frequency range : DC to 50 GHz
- VSWR : 1.3 : 1(Max) @ 50 GHz
- Stainless steel (passivated)

■ Specification

| Scope | Specification | AD00F02FS1 |
|------------|-----------------------|-----------------------------------|
| Electrical | Impedance(Ohm) | 50 |
| | Operation Freq.(GHz) | DC to 50 GHz |
| | VSWR (Max) | 1.3 : 1 @ 50 GHz |
| Material | Dielectric | Special dielectric |
| | Center Contact | Beryllium copper with gold plated |
| | Body | Passivated Stainless Steel |
| | Operating Temperature | -65 to +165 °C |

* RoHS Compliant

Precision Test Adapters

1.0 mm(F) to 2.4 mm(F)

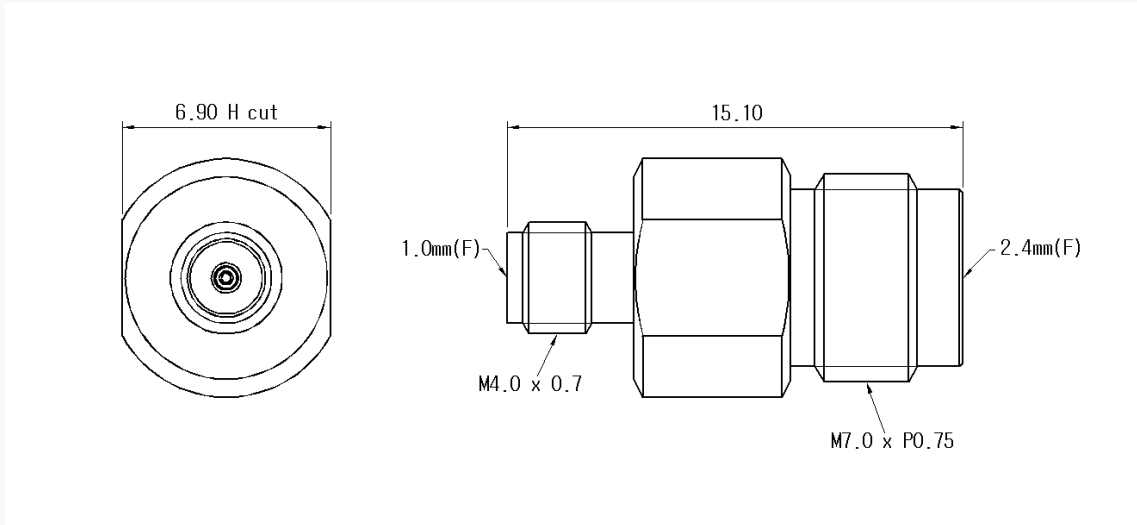
withwave

Versatile RF & MW Test Solutions

■ Drawing

Part No.: AD00F02FS1

Unit : mm



■ Test Result

▪ Frequency : 10 MHz to 50 GHz

