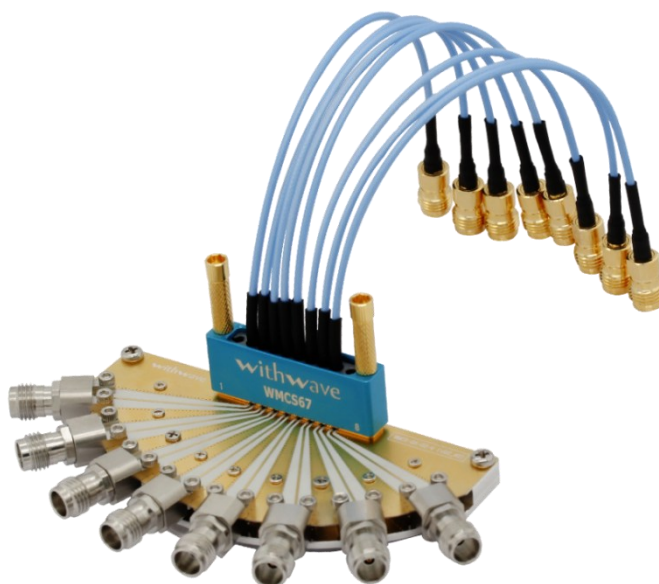


Withwave's Multi-Channel SMPS Cable Assemblies (WMCS Series) provide a wide range of multiple coax connectors and flexible cable assemblies with a choice of **26.5, 40, 50 & 67 GHz** configurations based on precision array design and superior high frequency cabling solutions.

These products consist of high performance flexible assemblies which can be bundled in housings (2,4 & 8 Channels) and the interface to board is compression type which provides lower total cost of testing by avoiding costly soldering components.

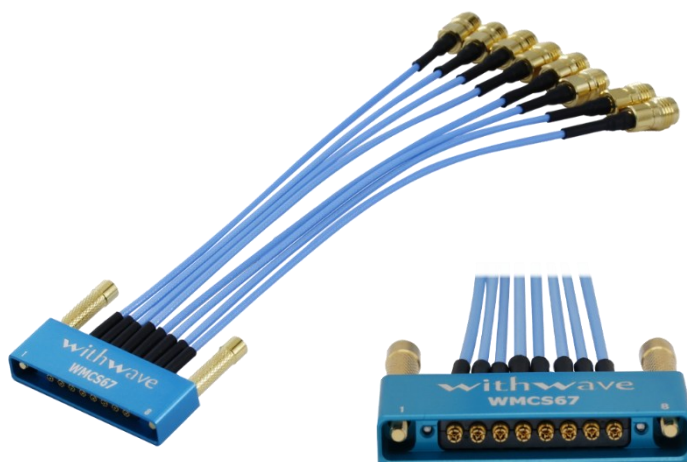


### ■ Features

- Frequency Range : DC to 26.5, 40, 50 & 67 GHz
- Solderless Vertical Mount type (SMPS)
- Pitch : 2.54 mm
- 1x8 Channel, 1x2 (TBD), 1x4 (TBD)

### ■ Application

- Semiconductor & Optical test equipment
- High Speed Test Module
- Super Computing
- 5G Communication Systems

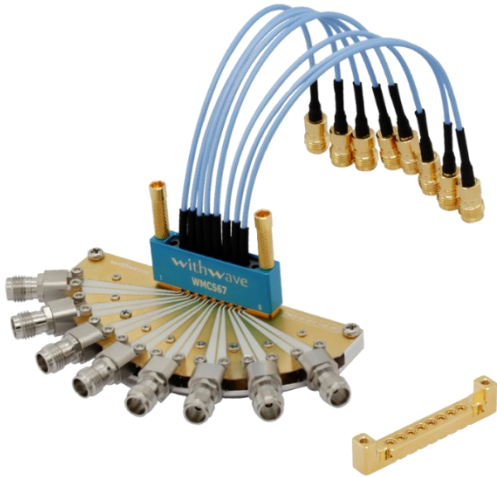


### ■ Specification

Specification	Vertical Mount			
Freq. Range(Max)	26.5 GHz	40 GHz	50 GHz	67 GHz
Connector type	SMA	2.92 mm	2.4 mm	1.85 mm
PCB Mount type	Vertical Mount			
VSWR	1.5:1	1.5:1	1.6:1	1.6:1
No. of Positions	1 x 8 (8 Channel)			
Pitch	2.54 mm			
Cable Out Diameter	0.047 inch			
Min. Cable Length	150 mm (*Contact us for other lengths)			
Temperature	-55 ~ +125 °C			



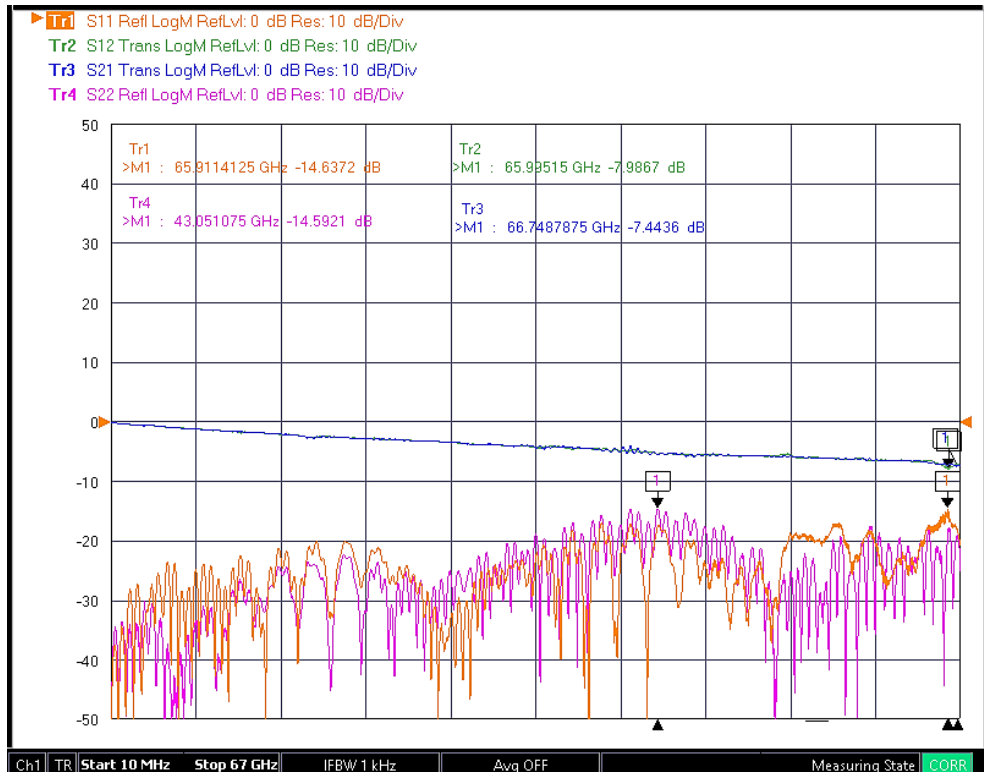
### ■ Test Result (Vertical Mount)



### Test Condition

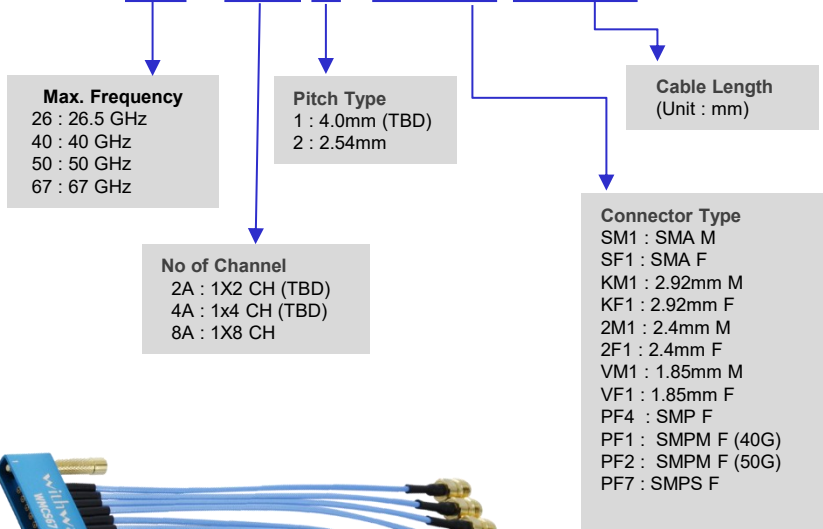
- **Vertical Mount**
  - Cable length : 150 mm(O.D : 0.047 inch)
  - Pitch : 2.54 mm
  - Connector : 1.85 mm (Female)
  - PCB Connector : Vertical Mount type(Part No: WMCS-8A-02-V)
- **Test Board**
  - PCB : RO4003C 8 mil
  - RF Trace length : 32.96mm
  - Connector: End Launch 1.85 mm Narrow Block(Female)

### Insertion & Return Loss



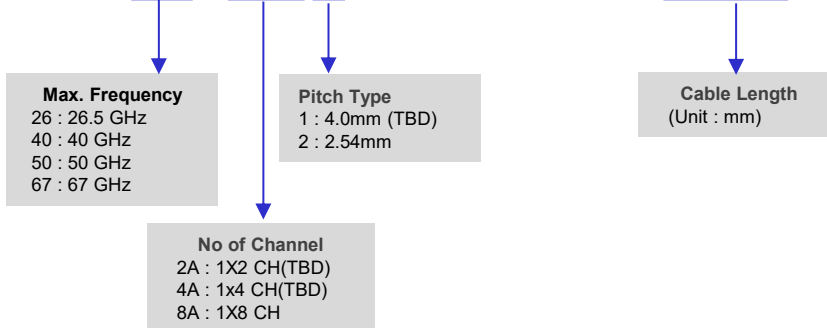
### ■ Selection Guide 1 (Cable Assembly)

## WMCS67-8A2-VF1-150



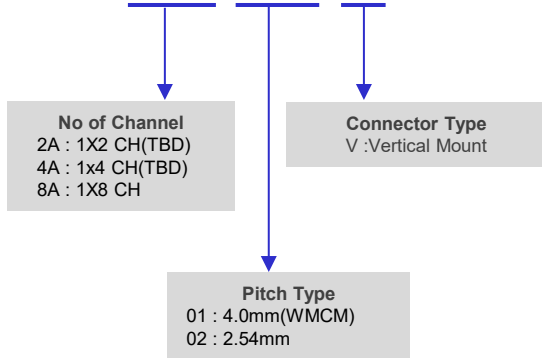
### ■ Selection Guide 2 (Cable Assembly : Jumper Type)

## WMCS67-8A2-WMCS67-150



### ■ Selection Guide (Board Connector)

## WMCS-8A-02-V

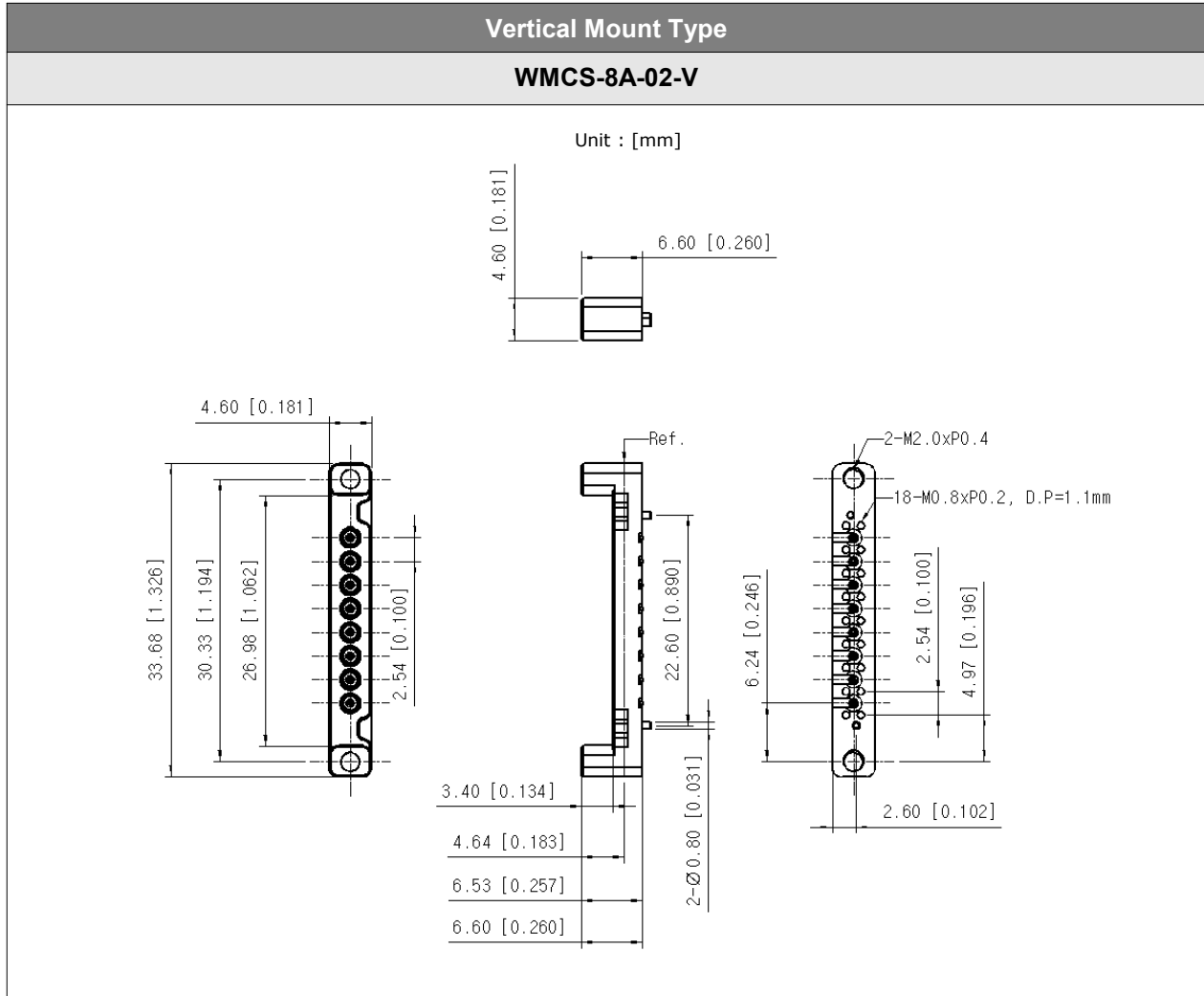


Board Connector (Pitch : 2.54 mm)

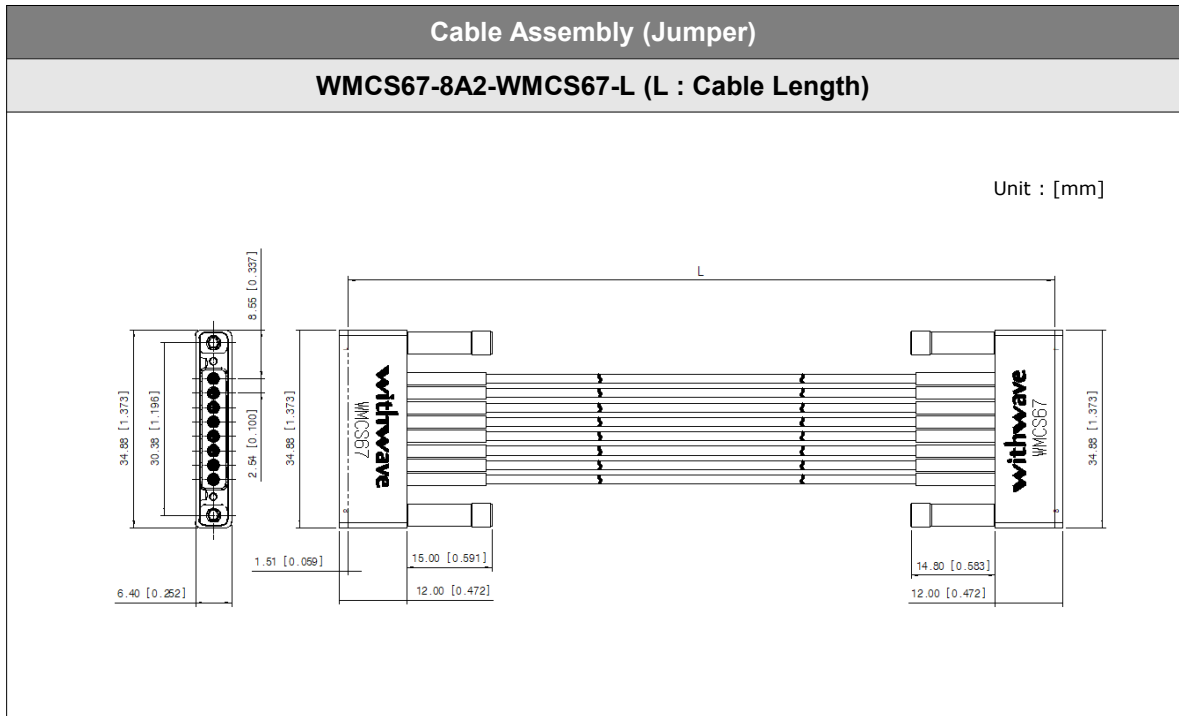
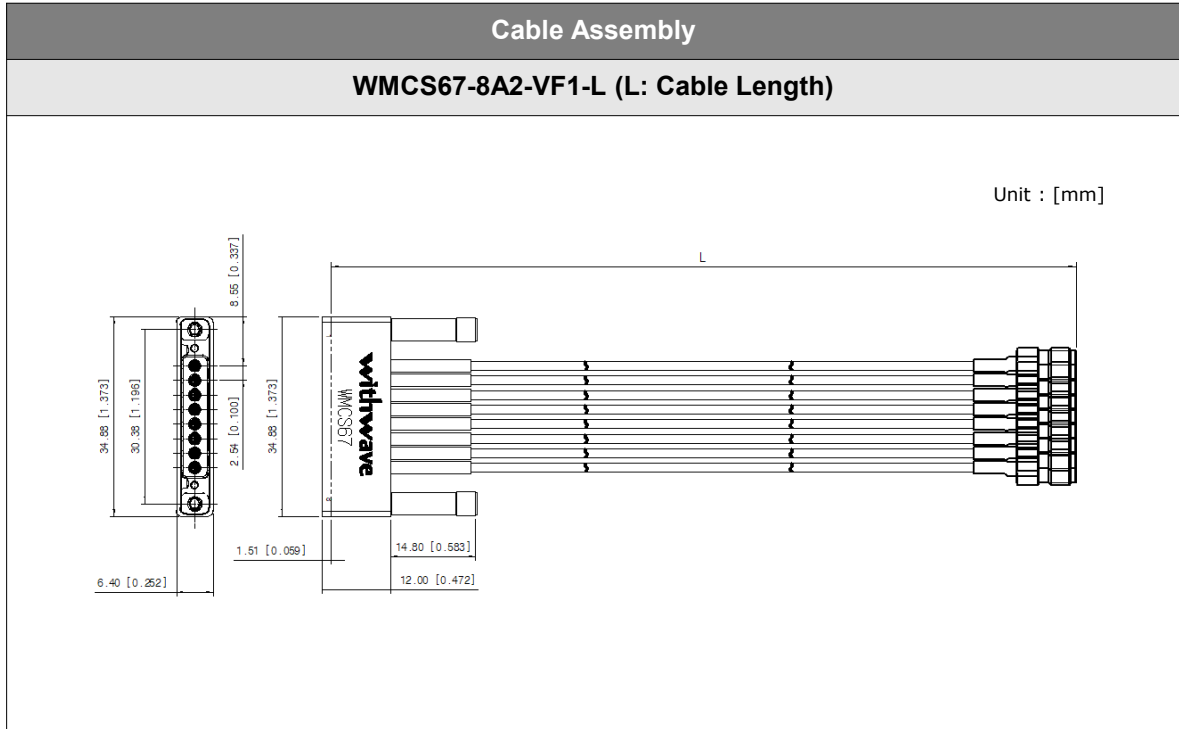
1x8 Channel (Part #: WMCS-8A-02-V)



### ■ Drawing



■ Drawing



### ■ Revision History

Revision	Date	Changes
Ver 1.0	2025-03-10	Released Multi-Channel SMPS Cable Assemblies.