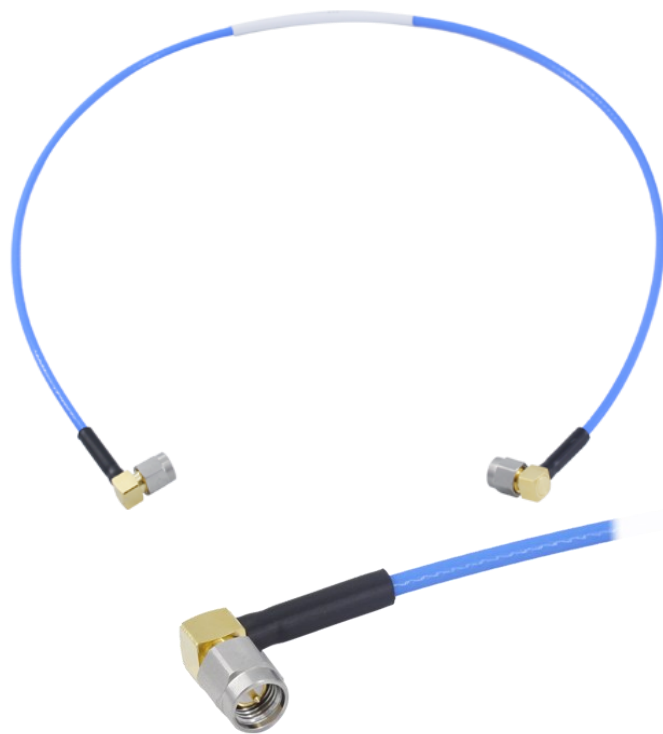


**W4 Series** are complete line of high performance flexible microwave cable assemblies. The velocity propagation of *W400(20G)* Cable is **70 %** and They have good insertion & return loss. *This Cable Assemblies with SMA Right Angle Connectors* have excellent RF performance up to 18 GHz.



### ■ Features

- Freq. Range : DC to 18 GHz
- Cable : W400(20G)
- Connector: SMA(Male): Right Angle

### ■ Application

- Telecommunication Systems
- Test & Measurement
- Test bench systems

### ■ Specification

Scope	Specification	W400(20G)
Electrical	Freq. Range (Max)	18
	Impedance	50 ± 2 Ohms
	VSWR *	1.45
	Velocity of propagation( %)	Typical 70
	Shielding Effectiveness (dB)	100
Physical	Center Conductor (mm)	0.51
	Insulator (mm)	1.63
	Outer Conductor 1 (mm)	1.78
	Outer Conductor 2 (mm)	2.16
	Jacket (mm)	2.69
Mechanical & Environmental	Weight (g/M)	19.5
	Temperature	-40 ~+85 °C **

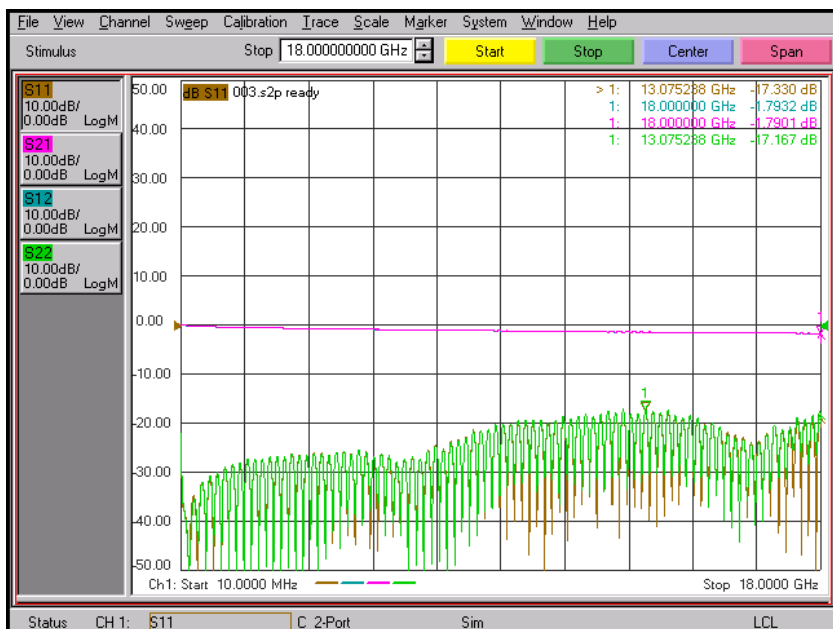
\*\* Adhesive type shrinkable tube: - -40 ~+85 °C / Non-adhesive type shrinkable tube: - -40 ~ + 125 °C

### Test Results

#### W400(20G) cable assembly

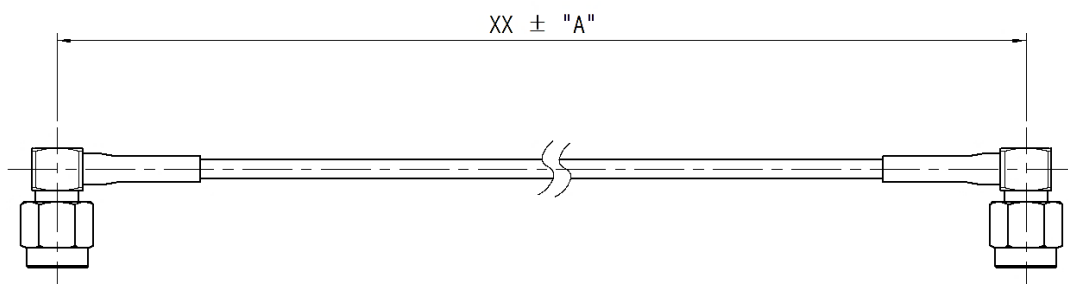
Part No. : W400(20G)-SMR1SMR1-0.5M

- Frequency : 10 MHz to 18 GHz
- Connector : SMA(Male) : Right Angle
- Cable Length : 0.5 meter



### Drawing

Unit : [mm]



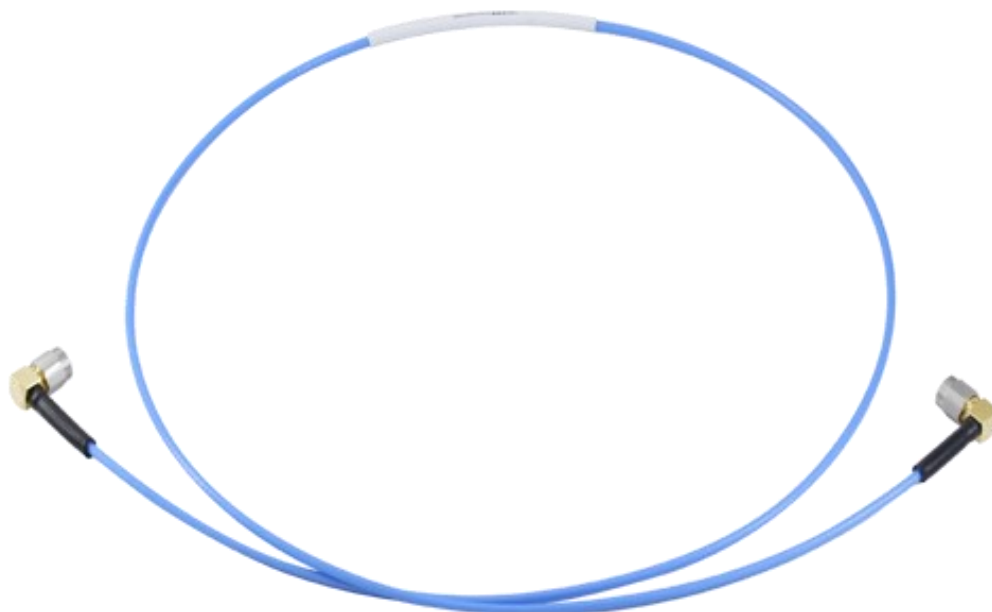
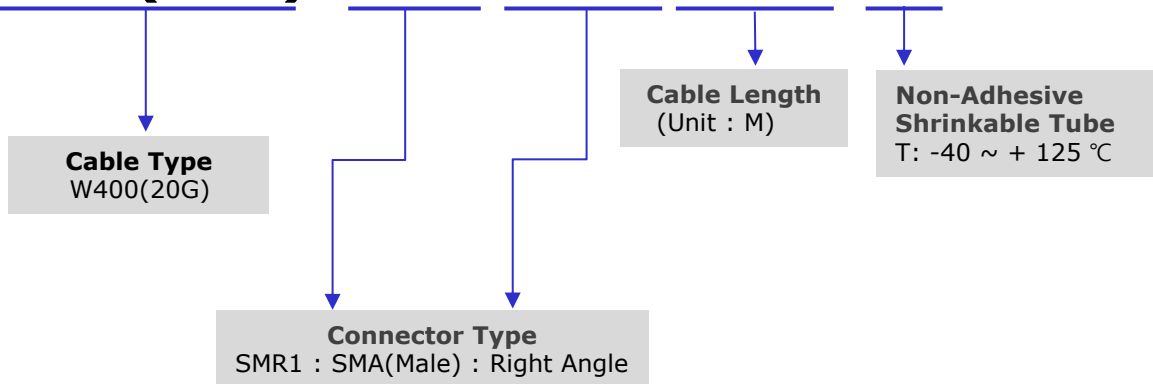
SMA(Male) Right Angle

SMA(Male) Right Angle

XX (Cable length)	"A" (Tolerance)
0.1M ~ 0.29M	+5.0mm / -0.0
0.3M ~ 0.99M	+15.0mm / -0.0
1.0M ~ 2.99M	+30.0mm / -0.0
3.0M ~ 9.99M	+50.0mm / -0.0
10.0M ~ 100.0M	+100.0mm / -0.0

## ■ Selection Guide

### W400(20G)-SMR1SMR1-0.5M- T



### ■ Revision History

Revision	Date	Changes
Ver 1.0	2024-10-31	Released SMA Right Angle W400(20G) Cable Assembly