

<Specification>

1. Material

- 1) Body : Stainless Steel (Passivated)
- 2) Center Conductor : BeCu (Au Plated)
- 3) Insulator : PEI, PTFE
- 4) HEX Socket Wrench Bolts : Stainless Steel (Passivated)

2. Electrical

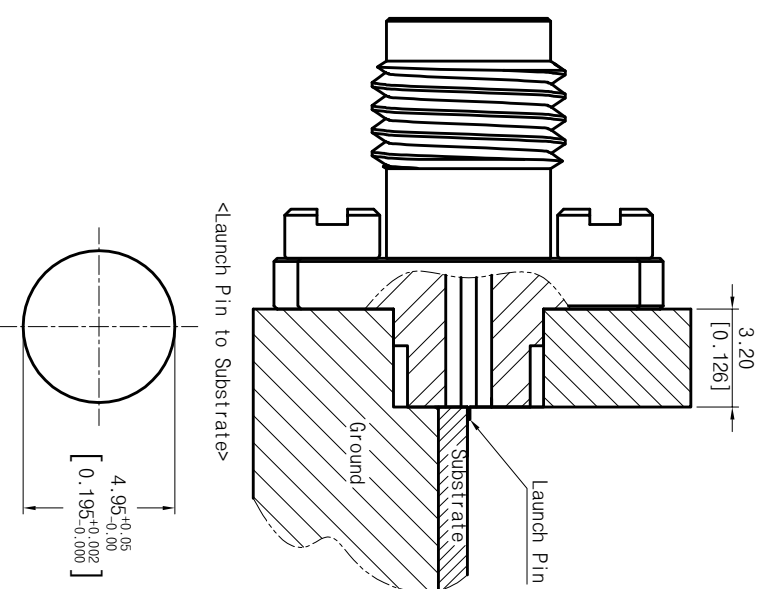
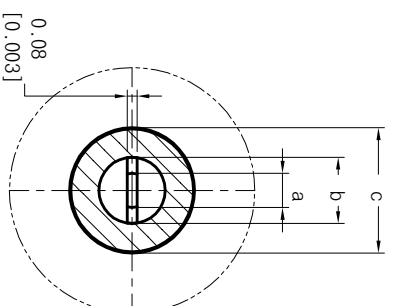
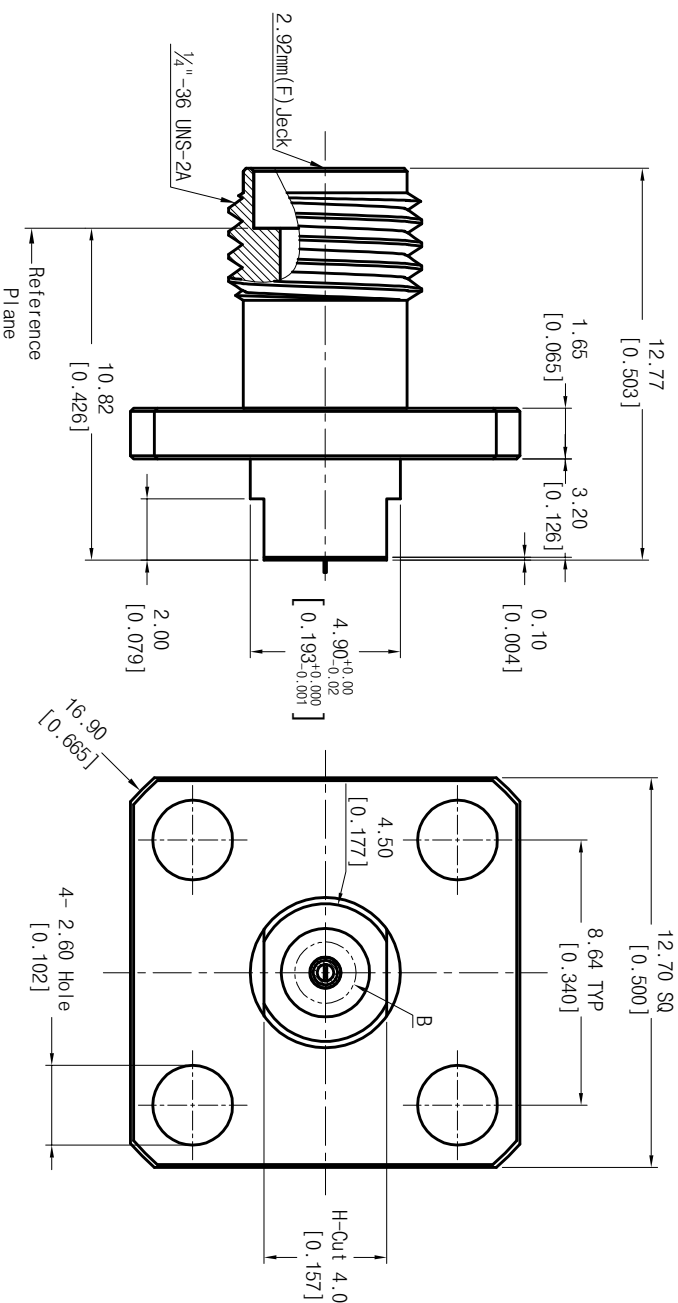
- 1) Impedance : 50Ω
- 2) Frequency range : DC to 40GHz
- 3) VSWR : 1.2 : 1

3. Mechanical

- 1) Durability : 500 Cycles

4. Environmental

- 1) Temp. Range : -40°C to +125°C
- 2) RoHS Compliant



<Launch Pin to Substrate>

<Recommended Mount Hole>

<Detail B>

<Recommended Mount Hole>

Type		Substrate Thickness	Pattern Width	Pin Diameter		Dielectric Dia.	Part No.
		mm		A	B	C	
RO4003C		8.0	0.436	0.28	0.42	0.82	PM03FS001
RO4350B		12.0	0.677	0.40	0.64	1.14	PM03FS002
Du5880		10.0	0.545	0.28	0.54	1.00	PM03FS003
		5.0	0.366	0.28	0.34	0.70	PM03FS004
		10.0	0.765	0.40	0.72	1.24	PM03FS005

PCB		Pin Diameter		Dielectric Dia.	Part No.	
2.92mm(40GHz)		A	B	C		
Type		Substrate Thickness	Pattern Width	Pin Diameter	Dielectric Dia.	Part No.
		mm		A	B	C
RO4003C		8.0	0.436	0.28	0.42	0.82
RO4350B		12.0	0.677	0.40	0.64	1.14
Du5880		10.0	0.545	0.28	0.54	1.00
		5.0	0.366	0.28	0.34	0.70
		10.0	0.765	0.40	0.72	1.24

Dimension	Range	Angle	Date	Checked	Part No.
0	±0.1	±2.0°	2015. 12. 07		Title
0.X	±0.05	±1.0°			2.92mm Female Panel Mount Connector
0.XX	±0.03				PM03FS001 ~ 005
Scale	Unit	mm	Drawn	DJ Kim	Rev.

withwave