

# Precision Test Adapters

## 1.85 mm(F) to 1.85 mm(F)

**Withwave's Precision Test Adapters** are designed based on precision microwave interconnection technologies. This 1.85 mm(F) to 1.85 mm(F) adapter is manufactured to precise microwave specifications and constructed with female gender on side 1 and female gender side 2. The precision microwave connector interfaces ensure an excellent microwave performance up to 67 GHz



### ■ Features

- Frequency range : DC to 67 GHz
- VSWR : 1.20 : 1(Max) @ 67 GHz
- Stainless steel (passivated)

### ■ Specification

Scope	Specification	AD01F01FS1
Electrical	Impedance(Ohm)	50
	Operation Freq.(GHz)	DC to 67 GHz
	VSWR (Max)	1.20 : 1
Material	Dielectric	Special dielectric
	Center Contact	Beryllium copper with gold plated
	Body	Passivated Stainless Steel
	Operating Temperature	-65 to +165 °C

\* RoHS Compliant

# Precision Test Adapters

## 1.85 mm(F) to 1.85 mm(F)

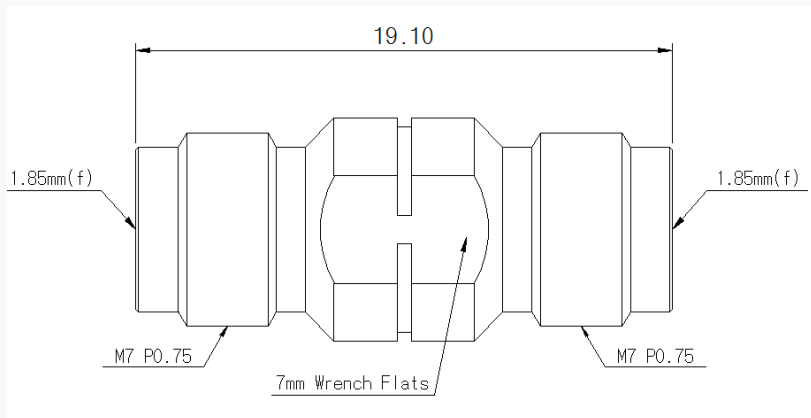
withwave

Versatile RF & MW Test Solutions

### ■ Drawing

Part No.: AD01F01FS1

Unit : mm



### ■ Test Result

▪ Frequency : 10 MHz to 67 GHz

