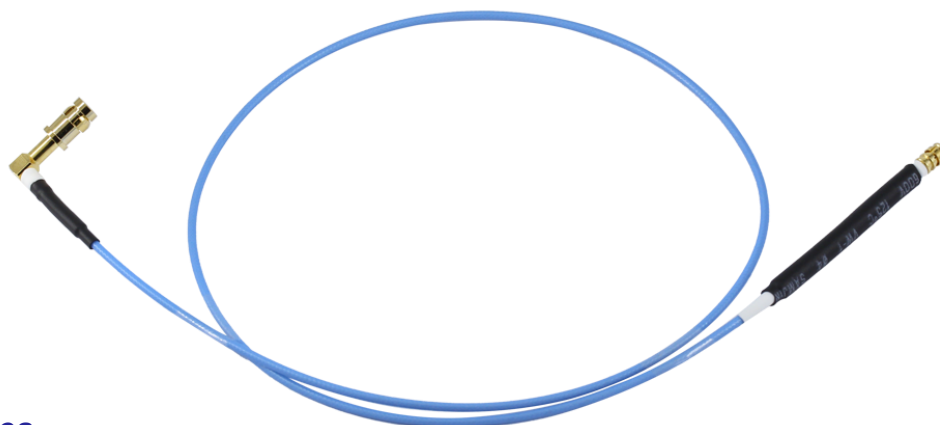


SMP Right Angle Cable Assemblies

Φ.047 Cable types (Flexible)

Withwave offers **SMP Right Angle Cable Assemblies** with 0.047" cable diameter for various kinds of interconnection solutions such as High Speed Testing, Surface Mount Interconnection and Telecommunication applications.



■ Features

- Freq: Range : DC to 18 GHz
- Push-On and Snap-On for Quick Installation

■ Application

- Telecommunication
- High Speed Applications
- Surface Mount Connection
- Broadband



■ Cable Specification

Scope	Specification	FX047
Electrical	Freq. Range (Max)	18
	Impedance	50 Ohms
	VSWR *	1.5
	Velocity of propagation(%)	70
	Shielding Effectiveness (dB)	90
Physical	Center Conductor (mm)	0.29
	Dielectric (mm)	0.92
	Jacket (mm)	1.53
Mechanical & Environmental	Connector type	SMP / SMA / 2.92mm / 2.4 mm
	Weight (g/M)	7.2
	Temperature	-55 ~+125 °C

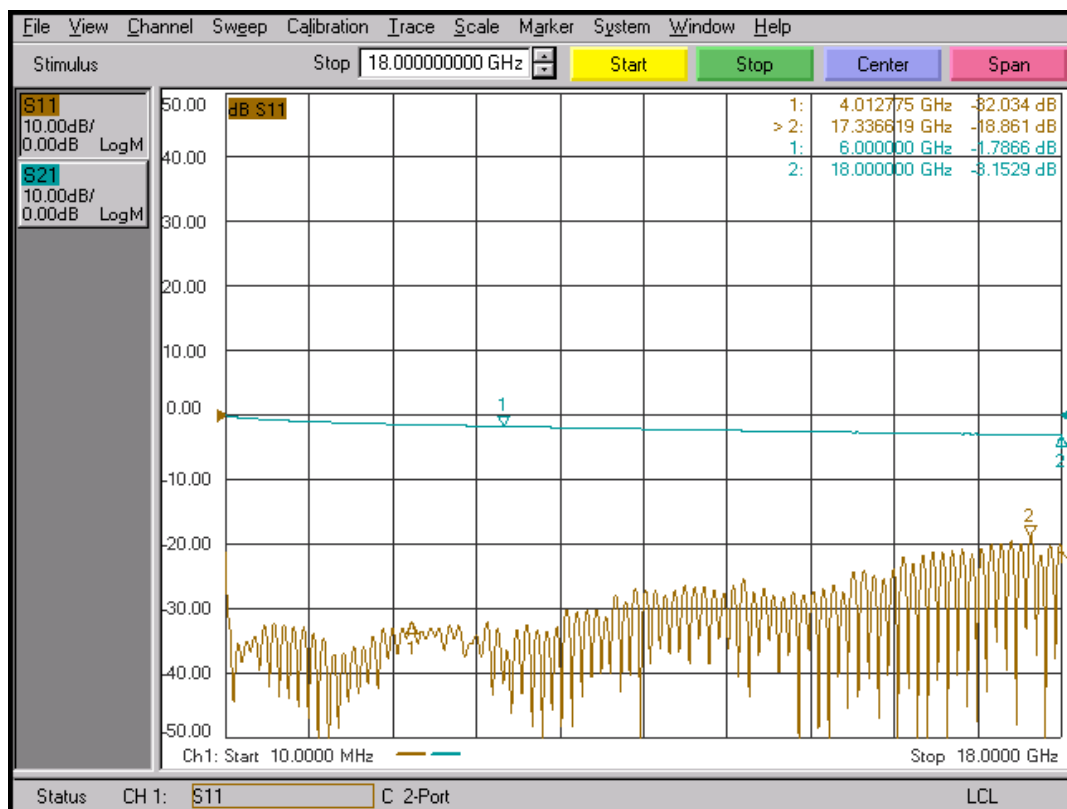
■ Test Condition

- Part No: FX047-PF8PM7-500mm
- Cable Length : 500 mm (O.D : 0.047 inch)
- Connector : PF8 : SMP(Female) / PM7 : SMP R/A(Male)

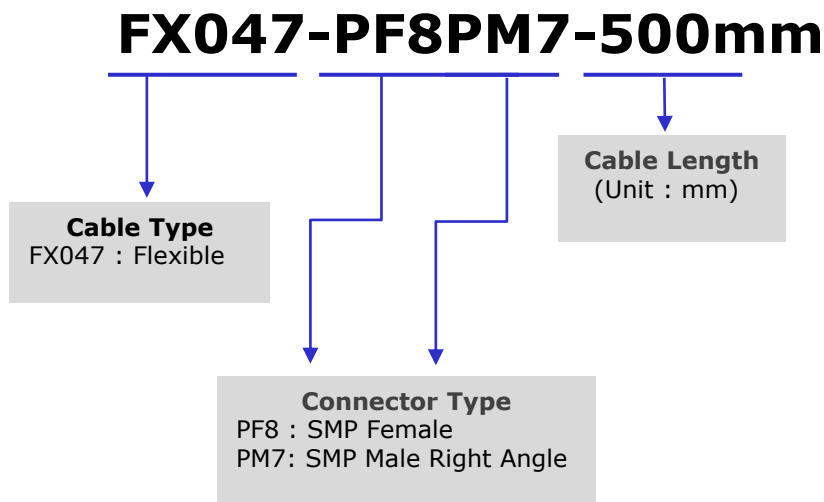


■ Test Results

* Freq: 10 MHz to 18 GHz

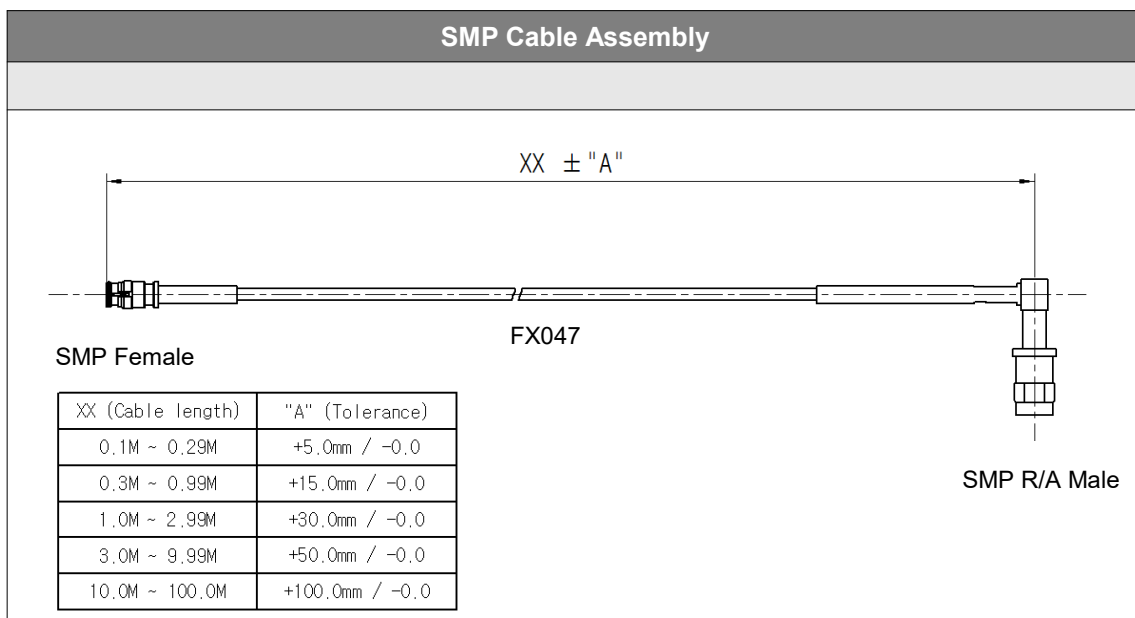


■ Selection Guide



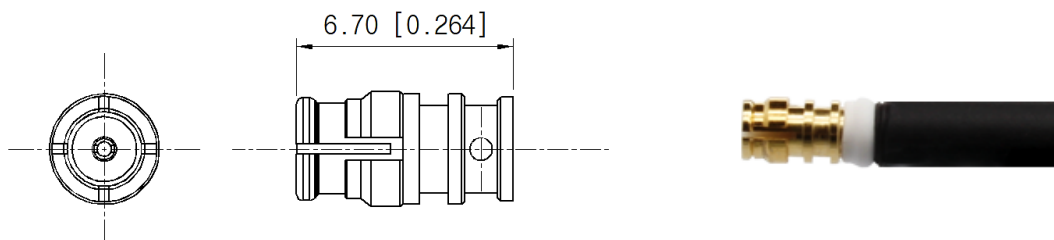
■ Drawing

Unit : [mm]

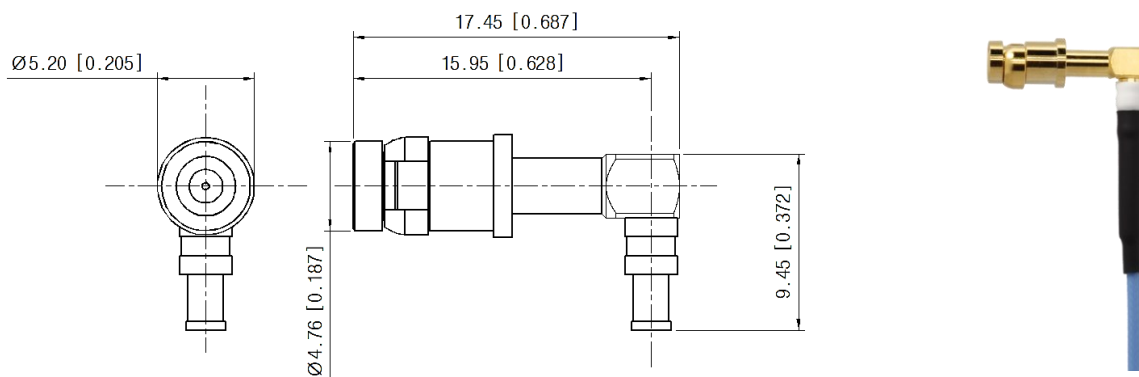


Φ.047 Cable types (Flexible)

■ Drawing



Part No.	Description
PF8	SMP Straight Female (Anti-rock ring)



Part No.	Description
PM7	SMP Right angle Male

■ Revision History

Revision	Date	Changes
Ver 1.0	2023-10-31	Released SMP Right Angle Cable Assembly