

2.92 mm(F) to 2.92 mm(F) : Right Angle type

Withwave's Precision Test Adapters are designed based on precision microwave interconnection technologies. This 2.92 mm(F) to 2.92 mm(F) **Right Angle adapter** is manufactured to precise Microwave specifications and constructed with female gender on side 1 and female gender on side 2. The precision microwave connector interfaces ensure an excellent microwave performance up to 40 GHz



■ Features

- Frequency range : DC to 40 GHz
- VSWR(Max) : 1.20 : 1
- Body : Stainless steel (passivated)

■ Specification

Scope	Specification	AD03F03FR1
Electrical	Impedance(Ohm)	50
	Operation Freq.(GHz)	DC to 40 GHz
	VSWR (Max)	1.20 : 1
Material	Dielectric	Special dielectric
	Center Contact	BeCu with gold plated
	Body	Passivated Stainless Steel
	Operating Temperature	-65 to +165 °C

* RoHS Compliant

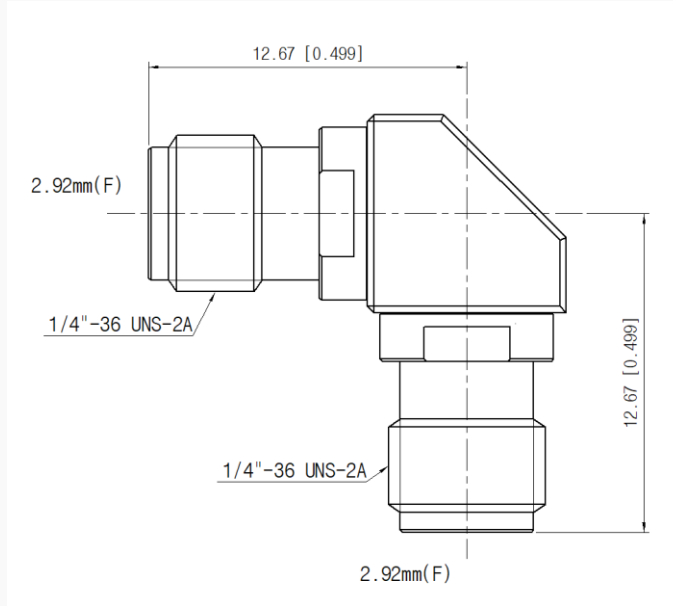
Precision Test Adapters

2.92 mm(F) to 2.92 mm(F) : Right Angle type

■ Drawing

Part No.: AD03F03FR1

Unit : mm[inch]



■ Test Result

▪ Frequency : 10 MHz to 40 GHz

