

Withwave's Power Divider offers frequency range from 2 to 4 GHz and low insertion loss & VSWR. This divider (PD2040-2-SF) is capable of handing power up to 20 Watts.

■ Features

- 2 Way Type
- SMA Connector (Female)
- Power Handling : 20 Watt

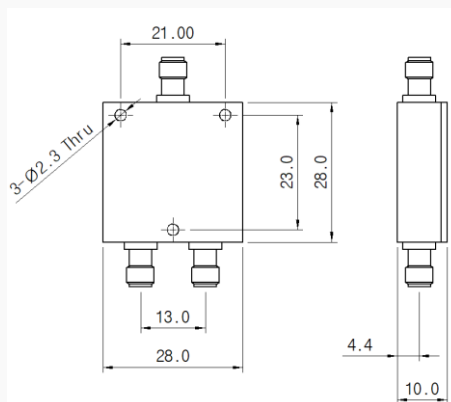


■ Specification

Scope	Specification	PD2040-2-SF
Electrical	Impedance	50 Ohm
	Freq. range	2 to 4 GHz
	Insertion Loss (Max.)	3.4 dB
	Isolation (Min.)	18 dB
	VSWR (Max.)	Input 1.25 Output 1.25
	Amplitude Imbalance	± 0.3 dB
	Phase Imbalance	± 5 degree
	Power Handling	20 W
Mechanical & Environmental	Reverse Power	2 W
	Port Connector	SMA (Female)
	Weight	28 g
	Operation Temperature	-55 °C to +85 °C

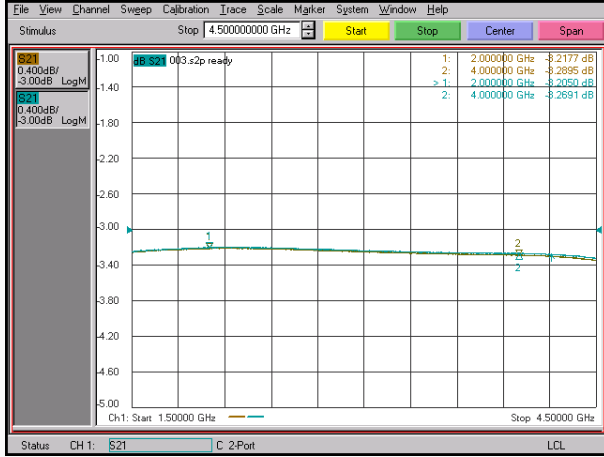
■ Drawing

Unit : mm

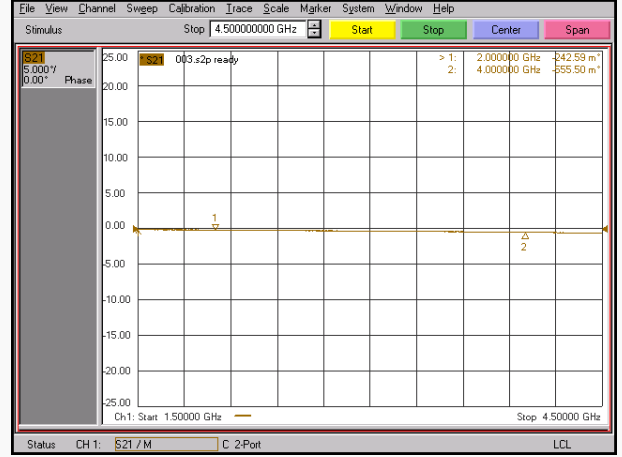


Measurement

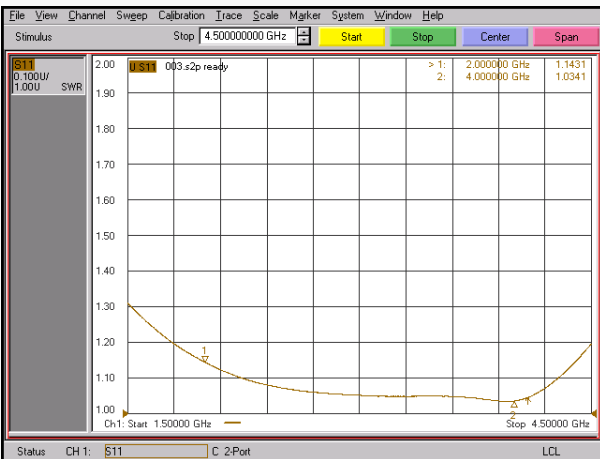
Insertion loss/Amplitude imbalance



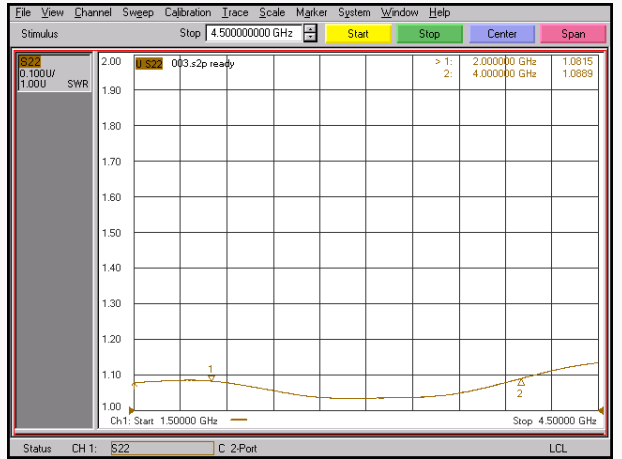
Phase Imbalance



Input VSWR



Output VSWR



Isolation

