

2.92 mm(F) to 2.92 mm(F) : 4 Hole Flange

Withwave's Precision Test Adapters are designed based on precision microwave interconnection technologies. This 2.92 mm(F) to 2.92 mm(F) adapter with 4 hole flange is manufactured to precise microwave specifications and constructed with female gender on side 1 and female gender side 2. The precision microwave connector interfaces ensure an excellent microwave performance up to 40 GHz.



■ Features

- Frequency range : DC to 40 GHz
- VSWR : 1.30 : 1(Max) @ 40 GHz
- Stainless steel (passivated)

■ Specification

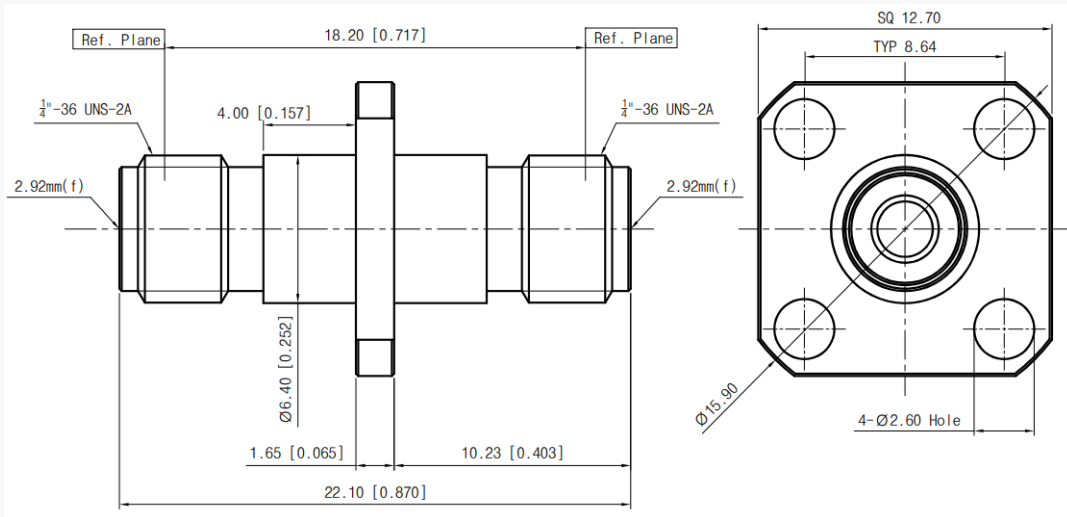
Scope	Specification	AD03F03FS5
Electrical	Impedance(Ohm)	50
	Operation Freq.(GHz)	DC to 40 GHz
	VSWR (Max)	1.3 : 1 @ 40 GHz
Material	Dielectric	Special dielectric
	Center Contact	Beryllium copper with gold plated
	Body	Passivated Stainless Steel
	Operating Temperature	-65 to +165 °C

* RoHS Compliant

■ Drawing

Part No.: AD03F03FS5

Unit : mm[inch]



■ Test Result

▪ Frequency : 10 MHz to 40 GHz

