

**Withwave's Precision Test Adapters** are designed based on precision microwave interconnection technologies. **This SMP(Female) to 2.92mm(Female)** adapter is manufactured to precise microwave specifications and constructed with female gender on side 1 and female gender side 2.

The precision microwave connector interfaces ensure an excellent microwave performance up to 40 GHz.



### ■ Features

- Frequency range : DC to 40 GHz
- VSWR(Max) : 1.20 : 1 (Max) @ 40 GHz
- Beryllium copper(gold plated) & Stainless steel(passivated)

### ■ Specification

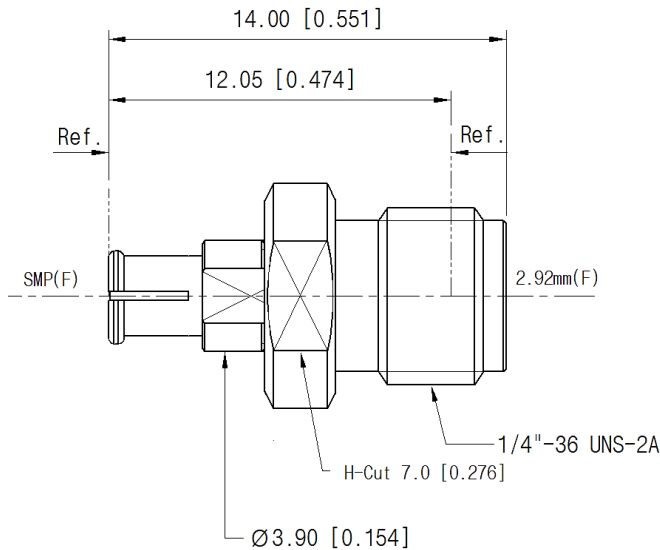
| Scope      | Specification         | AD05F03FS1   |
|------------|-----------------------|--|
| Electrical | Impedance(Ohm)        | 50   |
|            | Operation Freq.(GHz)  | DC to 40 GHz   |
|            | VSWR (Max)            | 1.20 : 1 @ 40 GHz  |
| Material   | Dielectric            | Special dielectric / ULTEM                                     |
|            | Center Contact        | Beryllium copper with gold plated                              |
|            | Body                  | Beryllium copper with gold plated & Passivated stainless steel |
|            | Operating Temperature | -65 to +165 °C   |

\* RoHS Compliant

### Drawing

Part No.: AD05F03FS1

Unit : mm



### Test Result

Frequency : 10 MHz to 40 GHz

