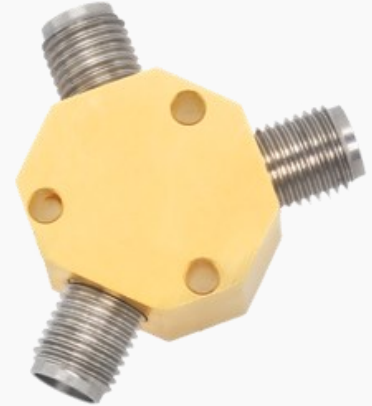


**Withwave's Power Divider** offer frequency range from DC to 40 GHz and low insertion loss & VSWR.

This divider (PD00400-2-KF) have high power handling capacity up to 1 Watt



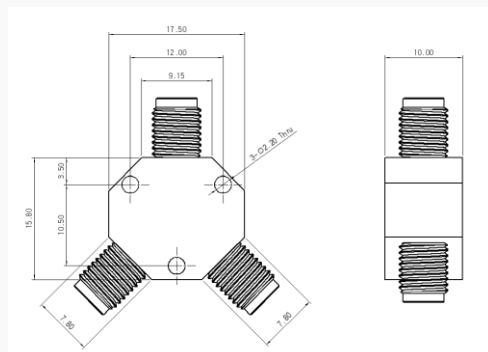
### ■ Features

- 2 Way Type
- 2.92 mm Connector (Female)
- Peak Power : 10 Watt (Max.)

### ■ Specification

| Scope      | Specification              | PD00400-2-KF                    |
|------------|----------------------------|---------------------------------|
| Electrical | Impedance                  | 50 Ohm                          |
|            | Freq. range                | DC to 40 GHz                    |
|            | Insertion Loss(Typ.)       | 7.2 dB                          |
|            | Isolation(Typ.)            | 13 dB                           |
|            | VSWR (Typ.)                | Input 1.3 : 1<br>Output 2.0 : 1 |
|            | Phase Imbalance (Typ.)     | ± 4.0 deg                       |
|            | Amplitude Imbalance (Typ.) | ± 0.3 dB                        |
|            | Forward Power (Max.)       | 1 Watt                          |
| Mechanical | Peak Power (Max.)          | 10 Watt                         |
|            | Port Connector             | 2.92 mm (Female)                |
|            | Weight                     | 20.1 g                          |

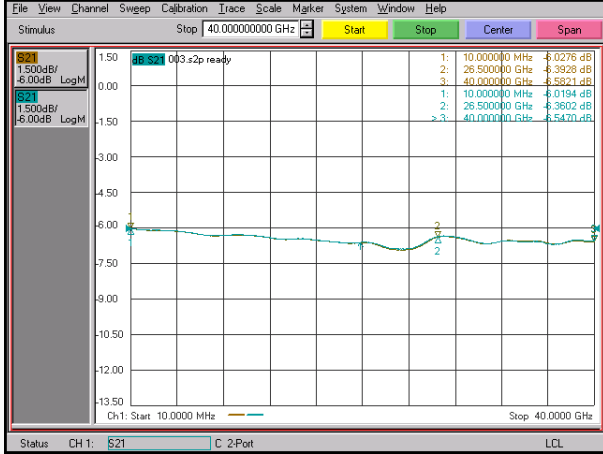
### ■ Drawing



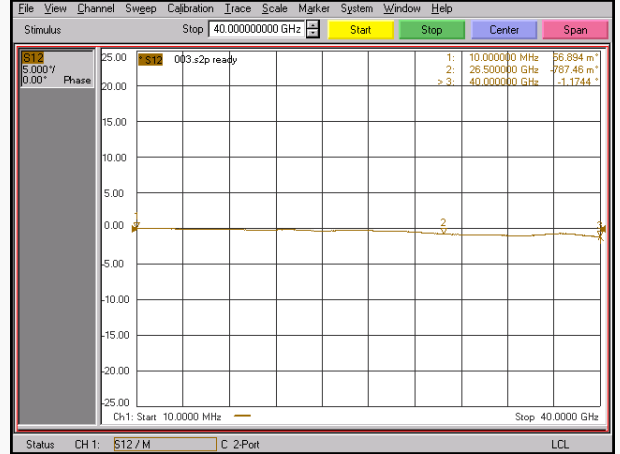
Unit : mm

### Measurement

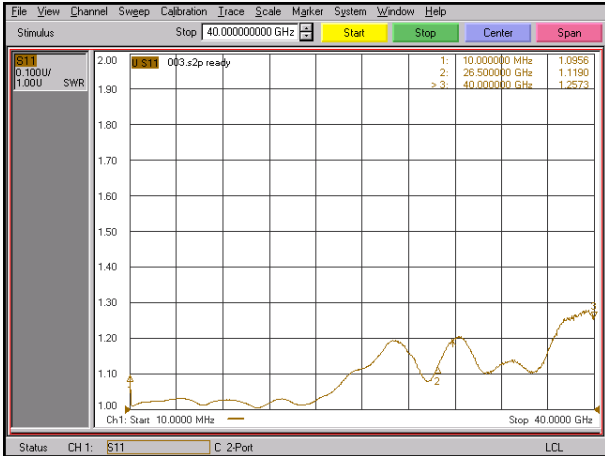
#### Insertion loss/Amplitude imbalance



#### Phase Imbalance



#### Input VSWR



#### Output VSWR



#### Isolation

