

**Withwave's Power Divider** offers frequency range from 2 to 6 GHz and low insertion loss & VSWR. This divider (PD2060-3-SF) is capable of handing power up to 20 Watts.

### ■ Features

- 3 Way Type
- SMA Connector (Female)
- Power Handling : 20 Watt

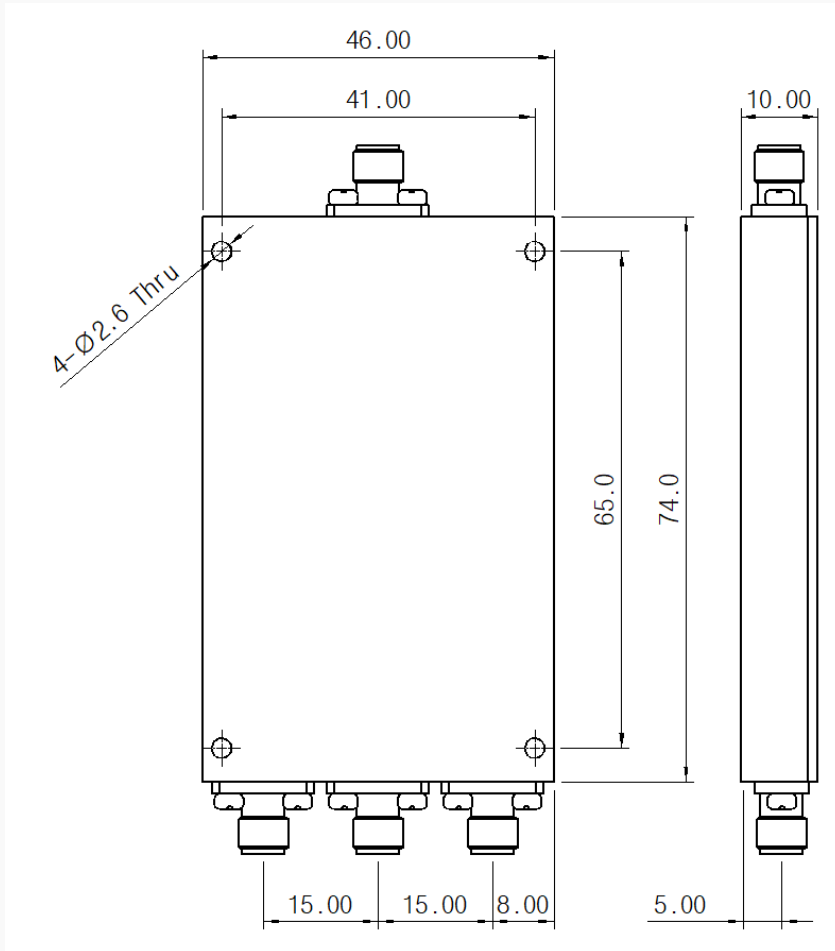
### ■ Specification



Scope	Specification	PD-2060-3-SF
Electrical	Impedance	50 Ohm
	Freq. range	2 to 6 GHz
	Insertion Loss (Max.)	5.6 dB
	Isolation (Min.)	18 dB
	VSWR (Max.)	Input 1.40 : 1 Output 1.25 : 1
	Amplitude Imbalance	± 0.8 dB
	Phase Imbalance	± 8 degree
	Power Handling	20 W
	Reverse Power	1 W
Mechanical & Environmental	Port Connector	SMA (Female)
	Weight	170 g
	Operation Temperature	-55 °C to +85 °C

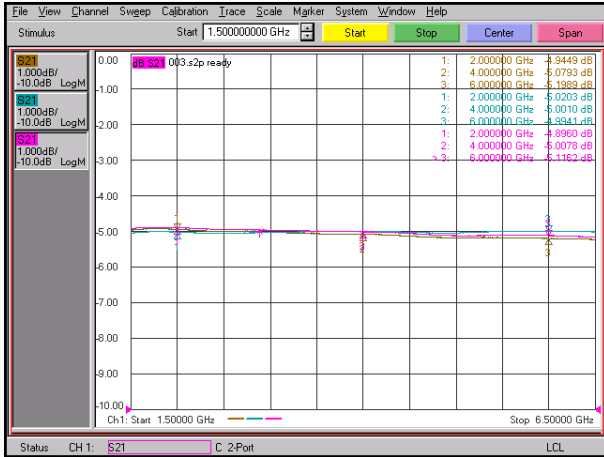
### ■ Drawing

Unit : mm

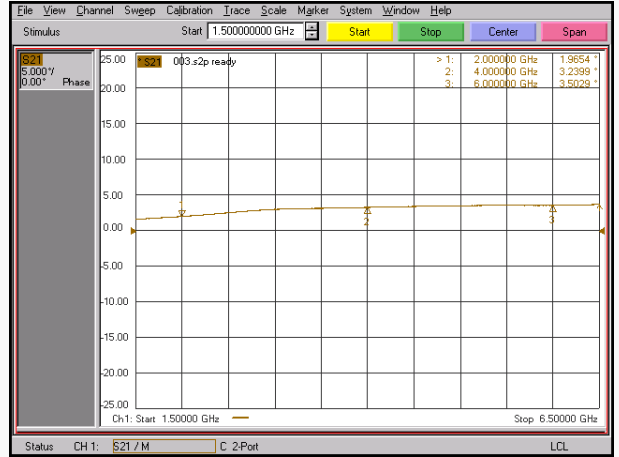


### Measurement

#### Insertion loss/Amplitude imbalance



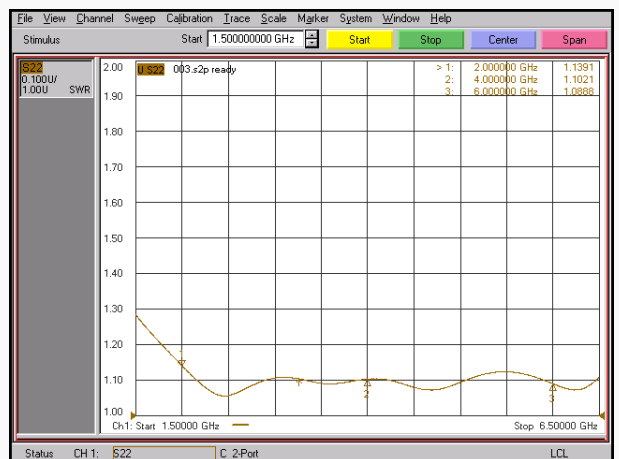
#### Phase Imbalance



#### Input VSWR



#### Output VSWR



#### Isolation

