

Withwave's Power Divider offers frequency range from 0.5 to 6 GHz and low insertion loss & VSWR. This divider (PD0560-4-SF) is capable of handing power up to 20 Watts.

■ Features

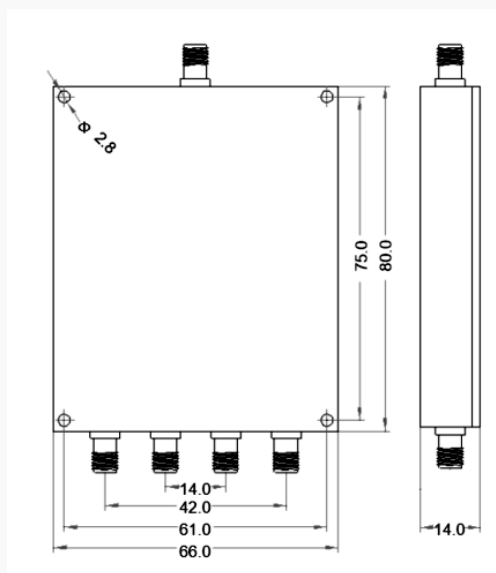
- 4 Way Type
- SMA Connector (Female)
- Power Handling : 20 Watt (C.W)



■ Specification

Scope	Specification	PD-0560-4-SF
Electrical	Impedance	50 Ohm
	Freq. range	0.5 to 6 GHz
	Insertion Loss	<-7.8 dB
	Isolation	>18 dB
	VSWR	<1.45 (Input) < 1.30 (Out)
	Power Handling	C.W : 20 W
	Amplitude Balance	< 0.4 dB
	Phase Balance	<± 4 degree
Mechanical & Environmental	Port Connector	SMA (Female)
	Operation Temperature	-55 °C to +85 °C

■ Drawing



Unit : mm