

Withwave's Precision Test Adapters are designed based on precision microwave interconnection technologies. This N(F) to SMA(F) Bulkhead type adapter is manufactured to precise microwave specifications and constructed with female gender on side 1 and female gender side 2.

The precision microwave connector interfaces ensure an excellent microwave performance up to 18 GHz.



■ Features

- Frequency range : DC to 18 GHz
- VSWR : 1.2 : 1(Max) @ 18 GHz
- Stainless steel (passivated)

■ Specification

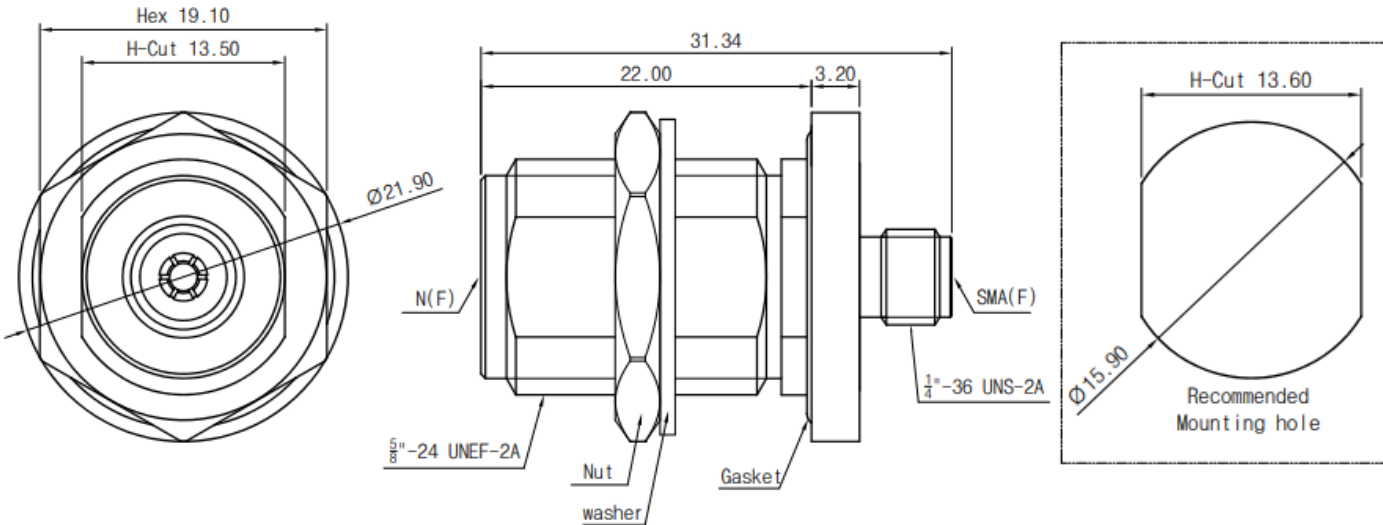
Scope	Specification	AD07F06FS4
Electrical	Impedance(Ohm)	50
	Operation Freq.(GHz)	DC to 18 GHz
	VSWR (Max)	1.2 : 1
Material	Dielectric	PEI / PTFE
	Center Contact	BeCu (gold plated)
	Body	Passivated Stainless Steel
	Operating Temperature	-65 to +165 °C

* RoHS Compliant

■ Drawing

Part No.: AD07F06FS4

Unit : mm



■ Test Result

* Freq. range: 10 MHz to 18 GHz

