

**Withwave's Precision Test Adapters** are designed based on precision microwave interconnection technologies. This SMA(F) to SMA(F) adapter with bulkhead is manufactured to precise microwave specifications and constructed with female gender on side 1 and female gender side 2. The precision microwave connector interfaces ensure an excellent microwave performance up to 26.5 GHz



### ■ Features

- Frequency range : DC to 26.5 GHz
- VSWR : 1.15 : 1(Max) @ 18 GHz  
1.20 : 1 (Max) @ 26.5 GHz
- Stainless steel (passivated)

### ■ Specification

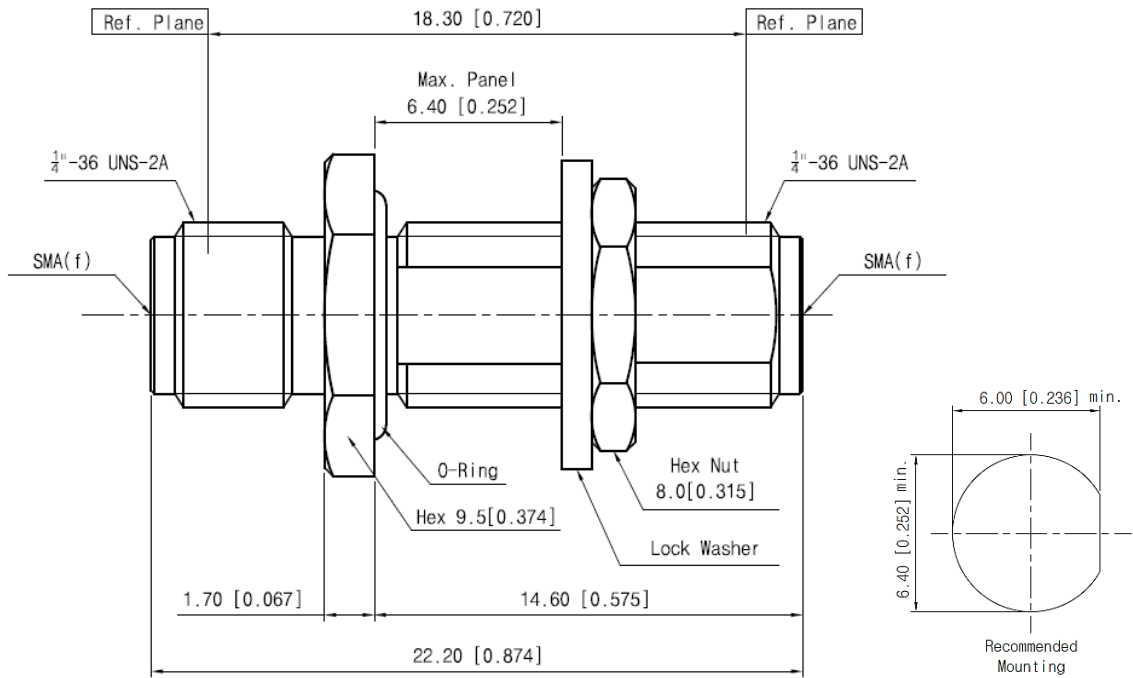
Scope	Specification	AD06F06FS3
Electrical	Impedance(Ohm)	50
	Operation Freq.(GHz)	DC to 26.5 GHz
	VSWR (Max)	1.15 : 1 @ 18 GHz 1.20 : 1 @ 26.5 GHz
Material	Dielectric	PTFE
	Center Contact	BeCu with gold plated
	Body	Passivated Stainless Steel

\* RoHS Compliant

### ■ Drawing

Part No.: AD06F06FS3

Unit : mm



### ■ Test Result

