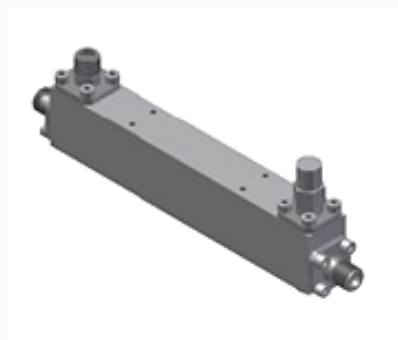


Withwave's Directional Coupler offer frequency range from 1.0 GHz to 26.5 GHz and low insertion loss & VSWR. This Coupler (BC10265-20-3F) have 20 dB coupling & 9 dB directivity characteristics.

■ Features

- Coupling : 10 dB
- Directivity : 9 dB (Min.)
- 3.5 mm Connector (Female)



■ Specification

Scope	Specification	BC10265-20-3F
Electrical	Impedance	50 Ohm
	Freq. range	1.0 to 26.5 GHz
	Insertion Loss	1.0 dB (Max)
	VSWR	1.60: 1
	Coupling	20 dB
	Coupling Sensitivity	± 1.2 dB
	Directivity	9 dB (Min.)
Mechanical & Environmental	Power Handling	30 W (Max.)
	Connector	3.5 mm (Female)
	Temperature	-40 to 85 degrees

■ Drawing

Unit : mm

