

# Precision Test Adapters

## 2.4 mm(F) to 3.5 mm(F)

**Withwave's Precision Test Adapters** are designed based on precision microwave interconnection technologies. This 2.4 mm(F) to 3.5mm(F) adapter is manufactured to precise microwave specifications and constructed with female gender on side 1 and female gender side 2. The precision microwave connector interfaces ensure an excellent microwave performance up to 34 GHz



### ■ Features

- Frequency range : DC to 34 GHz
- VSWR : 1.25 : 1(Max) @ 34 GHz

### ■ Specification

Scope	Specification	AD02F04FS1
Electrical	Impedance(Ohm)	50
	Operation Freq.(GHz)	DC to 34 GHz
	VSWR (Max)	1.25: 1
Material	Dielectric	Special dielectric
	Center Contact	BeCu with gold plated
	Body	Passivated Stainless Steel
	Operating Temperature	-65 to +165 °C

\* RoHS Compliant

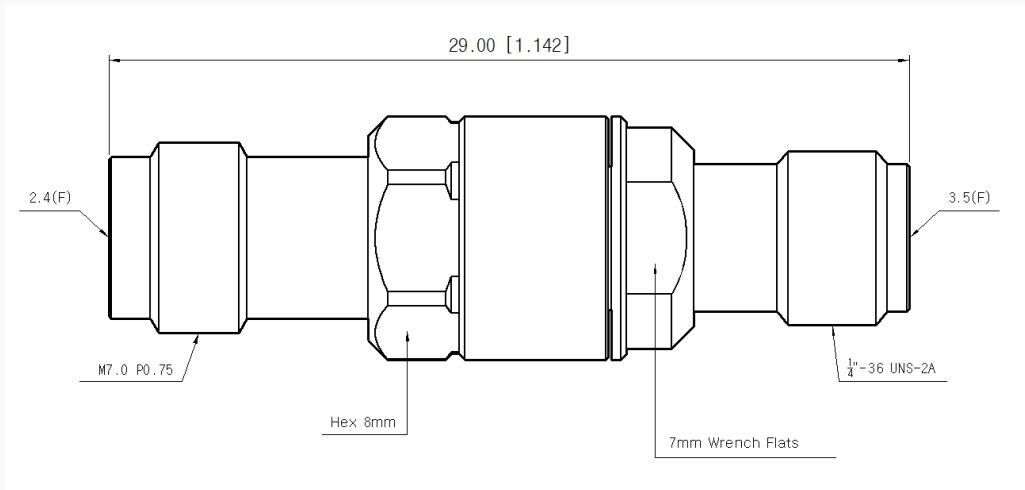
# Precision Test Adapters

## 2.4 mm(F) to 3.5 mm(F)

### ■ Drawing

Part No.: AD02F04FS1

Unit : mm[inch]



### ■ Test Result

▪ Frequency : 10 MHz to 34 GHz

