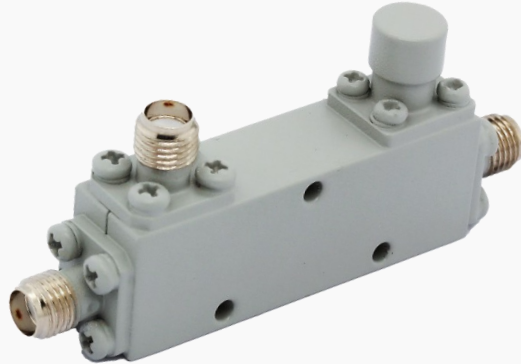


Withwave's Directional Coupler offer frequency range from 2 GHz to 18 GHz and low insertion loss & VSWR. This Coupler (BC20180-10-SF) have 10 dB coupling & 14 dB directivity characteristics.

■ Features

- Nominal Coupling : 10 ± 1.0 dB
- Directivity : 14 dB (Typ.)
- SMA Connector (Female)



■ Specification

| Scope | Specification | BC20180-10-SF |
|----------------------------|-----------------------------|----------------------------------|
| Electrical | Impedance | 50 Ohm |
| | Freq. range | 2 to 18.0 GHz |
| | Nominal Coupling | 10 ± 1.0 dB |
| | Insertion Loss | 1.1 dB |
| | VSWR Primary | 1.20: 1 (Typ.) 1.50: 1 (Max.) |
| | VSWR Secondary | 1.30: 1 (Typ.) 1.50: 1 (Max.) |
| | Directivity | 14 dB (Typ.) 12 dB (Min.) |
| | Average Power | 50 W |
| | Peak Power | 1KW |
| Mechanical & Environmental | Input / Output Connector | SMA (Female) |
| | Weight | 42.5 g |
| | Material | Aluminum |
| | Finishing | Gray paint |
| | Operating Temperature Range | -45 °C to +85 °C |

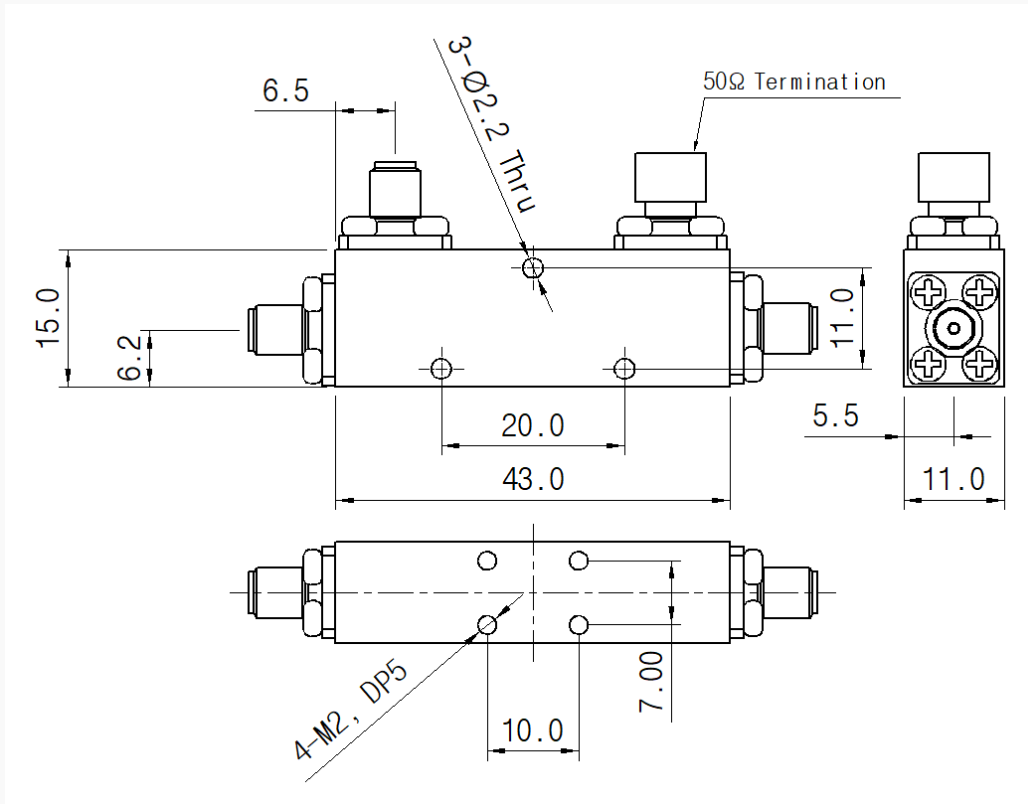
Directional Coupler

2 to 18 GHz
10 dB Coupling

withwave
Versatile RF & MW Test Solutions

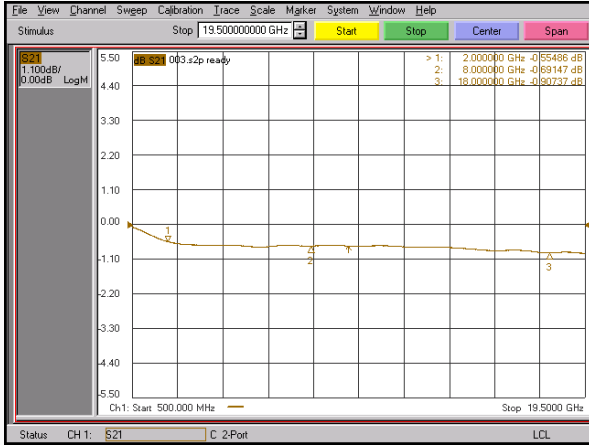
■ Drawing

Unit : mm

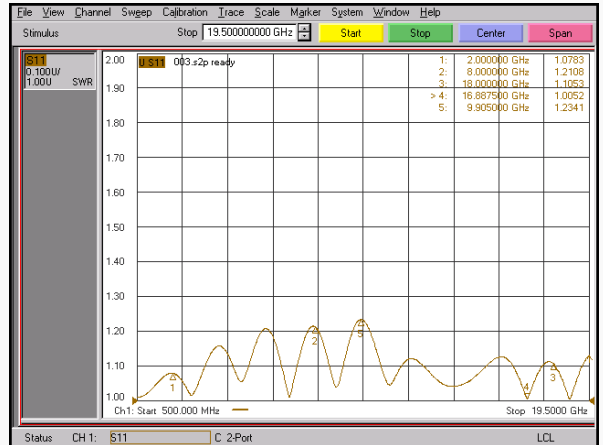


Measurement

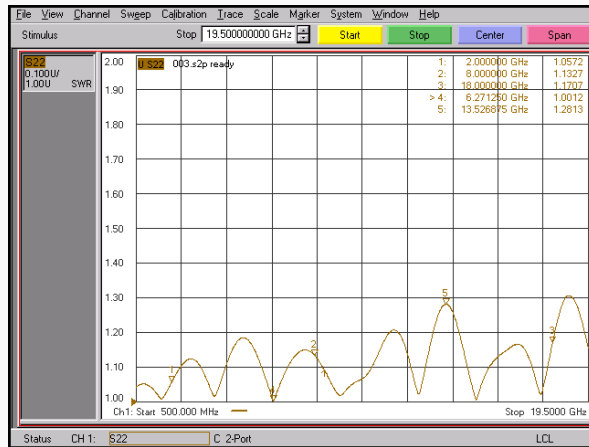
Insertion Loss (S21)



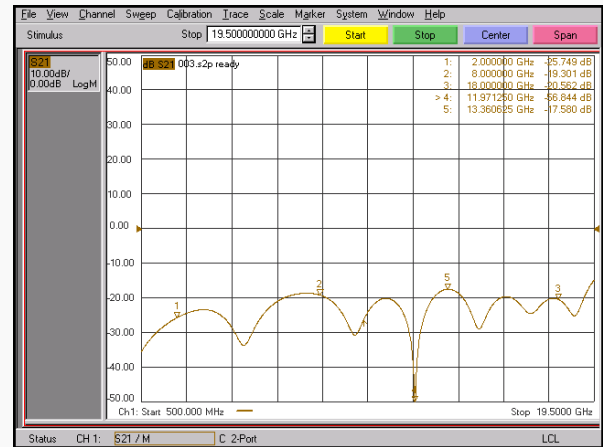
Primary VSWR



Secondary VSWR



Directivity



Nominal Coupling

