

Withwave's Directional Coupler offer frequency range from 1 GHz to 40 GHz and low insertion loss & VSWR. This Coupler (BC10400-10-KF) have 10 dB coupling & 10 dB directivity characteristics.

■ Features

- Nominal Coupling : 10 ± 1.25 dB
- Directivity : 10 dB (Min.)
- 2.92 mm Connector (Female)



■ Specification

Scope	Specification	BC10400-10-KF
Electrical	Impedance	50 Ohm
	Freq. range	1 to 40 GHz
	Nominal Coupling	10 ± 1.25 dB
	Insertion Loss	2.6 dB
	VSWR Primary	1.30: 1 (Typ.) 1.60:1 (Max.)
	VSWR Secondary	1.30: 1 (Typ.) 1.60:1 (Max.)
	Directivity	10 dB (Min.)
	Average Power	50 W
	Peak Power	1 KW
Mechanical & Environmental	Input / Output Connector	2.92 mm (Female)
	Weight	300 g
	Material	Aluminum
	Finishing	Black paint
	Operating Temperature Range	-45°C to +85 °C

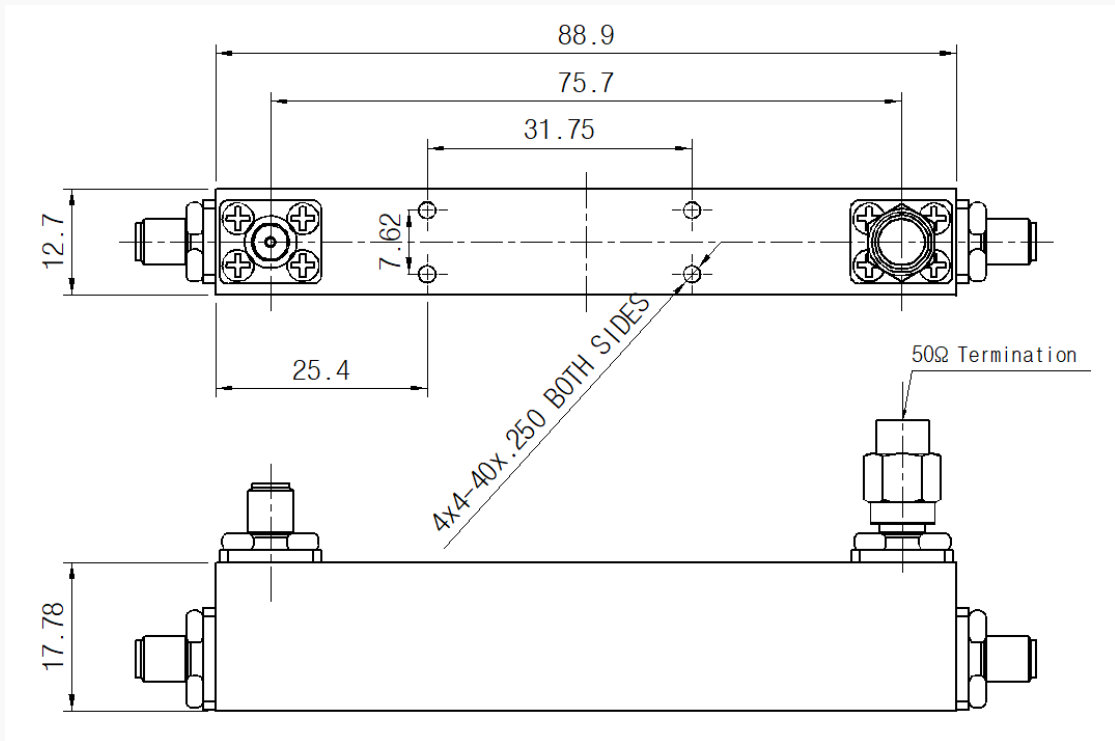
Directional Coupler

1 to 40 GHz
10 dB Coupling

withwave
Versatile RF & MW Test Solutions

■ Drawing

Unit : mm

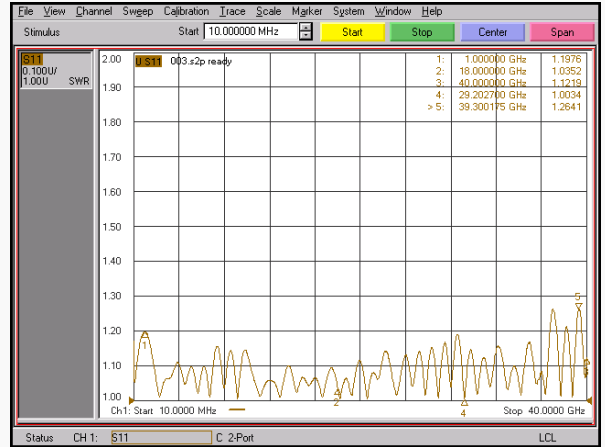


Measurement

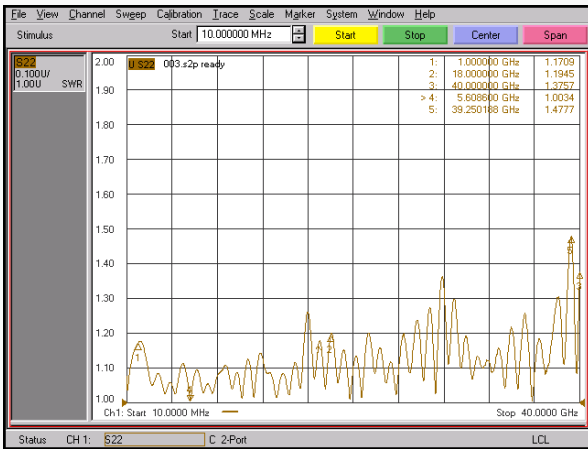
Insertion Loss (S21)



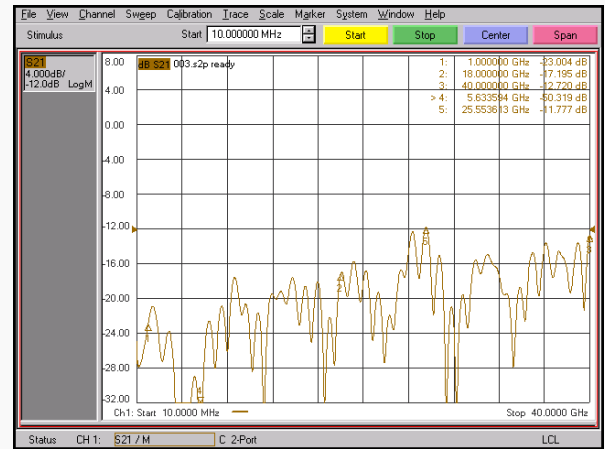
Primary VSWR



Secondary VSWR



Directivity



Nominal Coupling

