

Precision Test Adapters

1.0 mm(M) to 2.4 mm(M)

Withwave's Precision Test Adapters are designed based on precision microwave interconnection technologies. **This 1.0 mm(M) to 2.4 mm(M)** adapter is manufactured to precise microwave specifications and constructed with male gender on both sides. The precision microwave connector interfaces ensure an excellent microwave performance up to 50 GHz



■ Features

- Frequency range : DC to 50 GHz
- VSWR : 1.3 : 1(Max) @ 50 GHz
- Stainless steel (passivated)

■ Specification

Scope	Specification	AD00M02MS1
Electrical	Impedance(Ohm)	50
	Operation Freq.(GHz)	DC to 50 GHz
	VSWR (Max)	1.3 : 1 @ 50 GHz
Material	Dielectric	Special dielectric
	Center Contact	Brass with gold plated
	Body	Passivated Stainless Steel
	Operating Temperature	-65 to +165 °C

* RoHS Compliant

Precision Test Adapters

1.0 mm(M) to 2.4 mm(M)

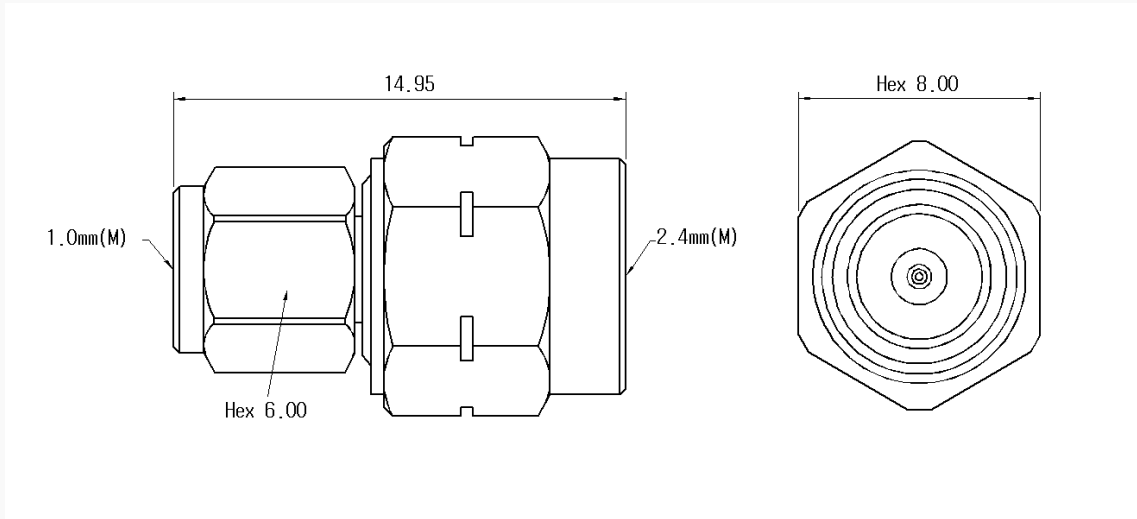
withwave

Versatile RF & MW Test Solutions

■ Drawing

Part No.: AD00M02MS1

Unit : mm



■ Test Result

▪ Frequency : 10 MHz to 50 GHz

